
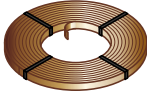




















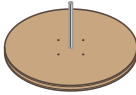



Energy transmission system to be fitted with 7 conductors without joints.
Operating current: 50, 100 or 160 A, depending on the conductors to be fitted. 200 A and 320 A are also available as parallel configuration of 100 A and 160 A.
Marking: CE, EAC.

TR85H7P CONTINUOUS

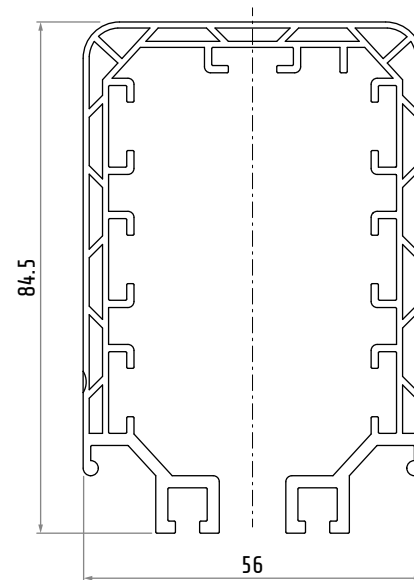
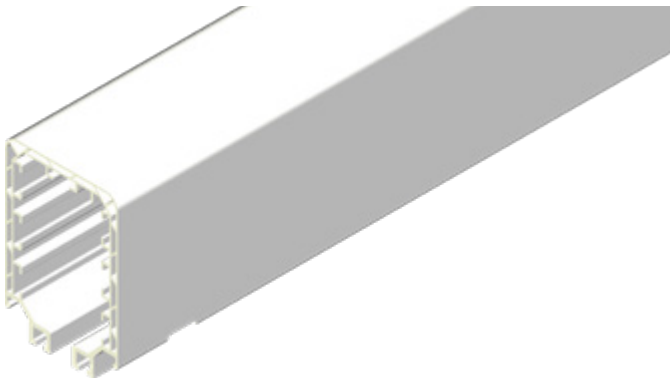
	TR85H7PW Busbar
	CSH750 - CSH7100 CSH7160 Conductor
	TR8501W - TR8524 Plastic and metallic joint unit
	TR8502W - TR8525 Plastic and metallic hanger clamp
	TR8506W End cap
	TR85H7P005W Head feed
	TR85H7P03W In-line feed
	TR8564 Transition box
	TR85H7P14 Conductor insertion trolley
	TR85H7P001 Single trolley current collector (35 A)
	TR85H7P002 Double trolley current collector (70 A)
	TR85H7P010 Triple trolley current collector (105 A)
	TR8557 Single towing arm with chain
	TR8558 Double towing arm with chain
	TR8559 Triple towing arm with chain

BUSBAR SYSTEM WITH 7 CONTINUOUS CONDUCTORS (SIZES: 50 A, 100 A, 160 A)

	TR8561 Single trolley connection clamp
	TR8562 Double / triple trolley connection clamp
	TR8527.1 Fixed point
	TR85H7P45W Section joint
	TR85H7P07W Expansion joint
	TR85H7P28W Inspection joint
	TR8505S Gasket
	TR8513 Copper decoiler
	Accessories

TR85H7PW

BUSBAR



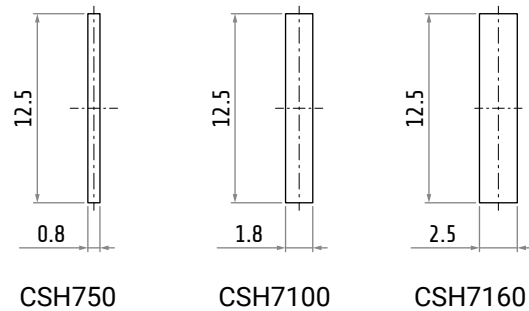
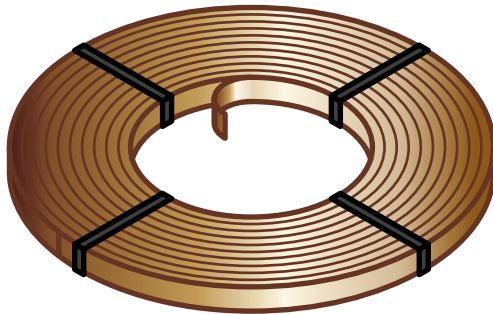
Custom curved bars available on request (with 6 conductors only and with a minimum radius of 1000 mm).

Dimensions in mm / illustrations NOT in scale

Material			rigid PVC
Weight			~1025 g/m
Length			4 m
Self-extinguish	UL94 DIN 4102 D.M. 6/7/83		V0 B2 CI
Ultimate tensile strenght	ISO R527	@ 23°C	430 kg/cm ³
Yield point	ISO R527	@ 23°C	460 kg/cm ³
Modulus of elasticity	ISO R178	@ 23°C	30000 kg/cm ³
Impact resistance	DIN 53453		unbroken
Dielectric strenght	ASTM 149		25 kV/mm
Softening temperature - Vicat	ISO R306 49N		82°C
Protection class	CEI EN 60529		IP13 IP44 with gasket
Flammability resistance	UL94 CEI EN 60695-2-1		V0 960°C
Ambient temperature	operating storage		-30 ... +55°C -30 ... +70°C
Admissible trolley speed	max		200 m/min

CSH750 CSH7100 CSH7160

CONDUCTORS

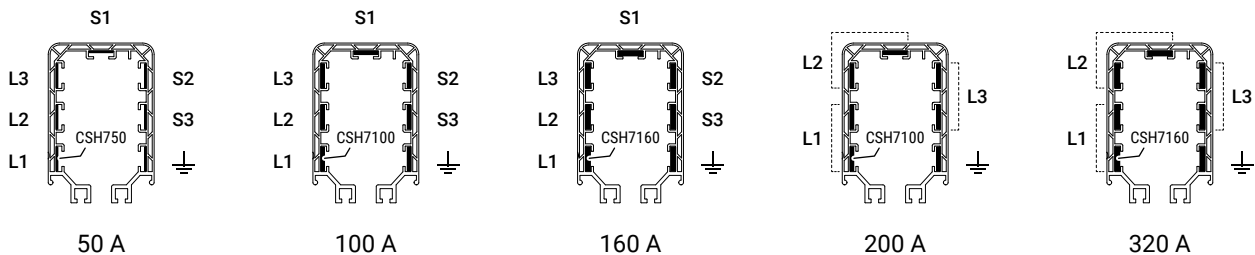


Length on request

	CSH750	CSH7100	CSH7160
Material	ETP copper	ETP copper	ETP copper
Rated current	50 A	100 A	160 A
Rated operating voltage	600 V AC	600 V AC	600 V AC
Frequency	50 Hz	50 Hz	50 Hz
Short circuit current	10 kA	10 kA	10 kA
Class gG fuses	50 A	100 A	160 A
Conductors section	10 mm ² 12.5×0.8 mm	22.5 mm ² 12.5×1.8 mm	31.25 mm ² 12.5×2.5 mm
Resistance	17·10 ⁻⁴ Ω/m	8.38·10 ⁻⁴ Ω/m	5.29·10 ⁻⁴ Ω/m
Impedance	17.09·10 ⁻⁴ Ω/m	8.42·10 ⁻⁴ Ω/m	5.36·10 ⁻⁴ Ω/m
Weight	~90 g/m	~190 g/m	~280 g/m

200 A and 320 A are also available as parallel configuration of 100 A and 160 A.

Possible configurations

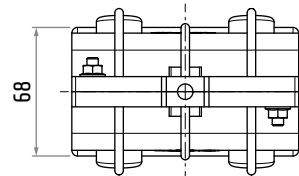
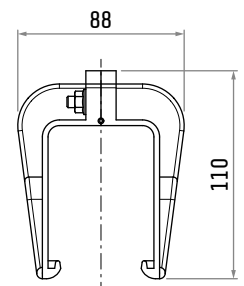
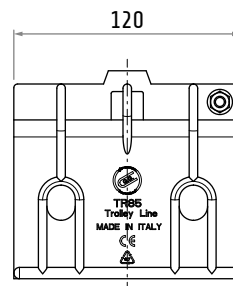
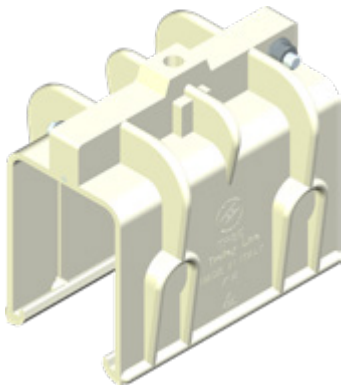


Dimensions in mm / illustrations NOT in scale



TR8501W

PLASTIC JOINT UNIT

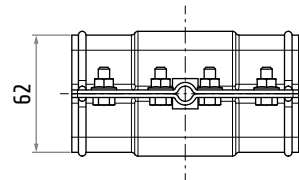
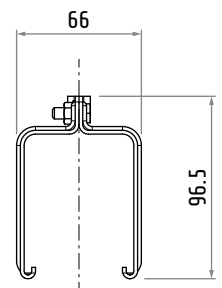
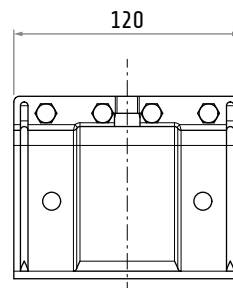
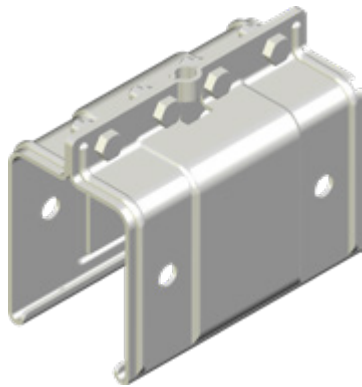


Material	body	nylon
	hardware	galvanized steel
Weight		~225 g



TR8524

METAL JOINT UNIT

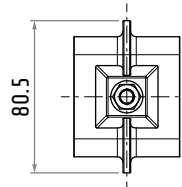
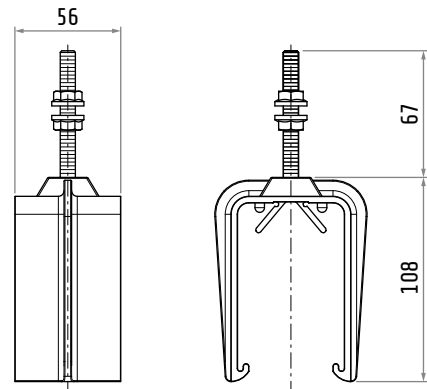


Material	body hardware	galvanized steel galvanized steel
Weight		~530 g



TR8502W

PLASTIC HANGER CLAMP

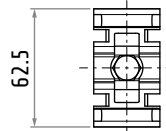
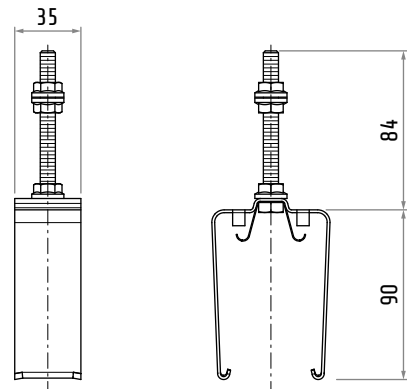
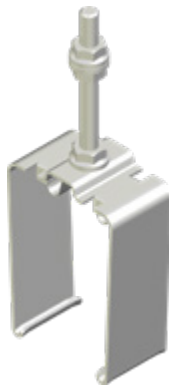


Material	body	nylon
	hardware	galvanized steel
Weight	~110 g	



TR8525

METAL HANGER CLAMP

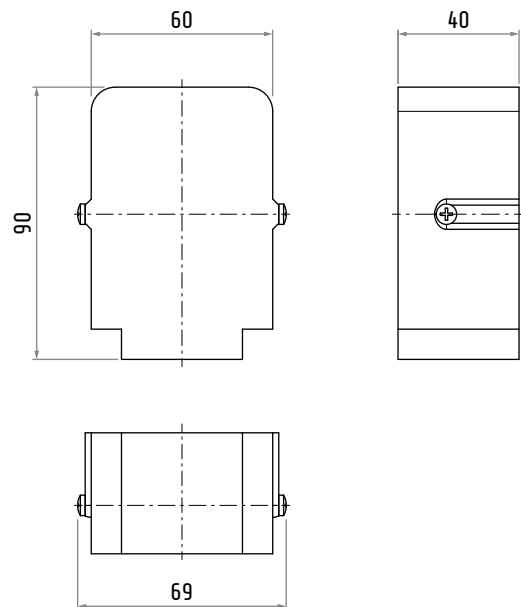


Material	body	galvanized steel
	hardware	galvanized steel
Weight		~155 g



TR8506W

END CAP

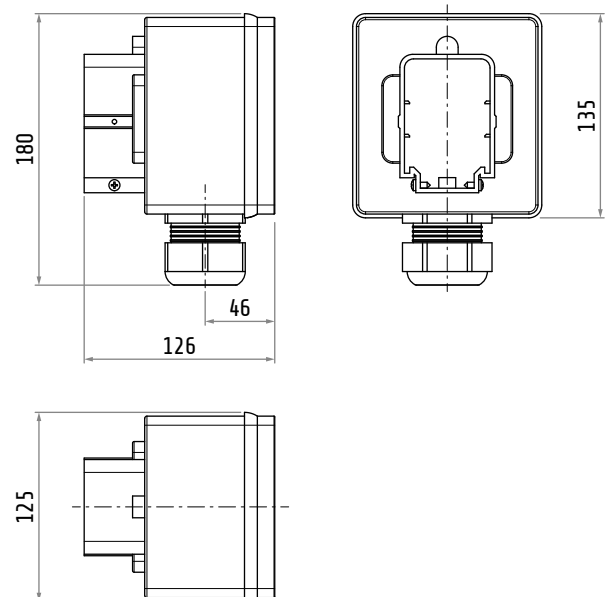
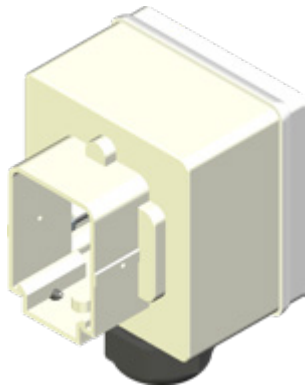


Material	body	nylon
Weight		~35 g



TR85H7P005W

HEAD FEED



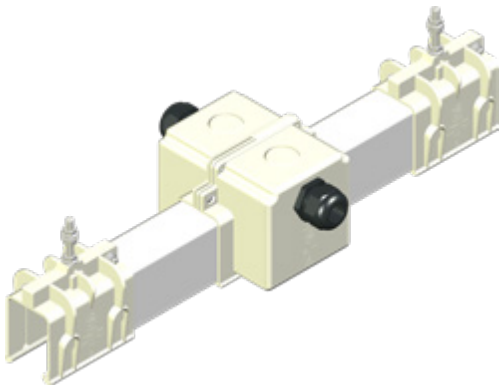
Material	body	nylon
Weight		~490 g

For 50 A, 100 A and 200 A only.

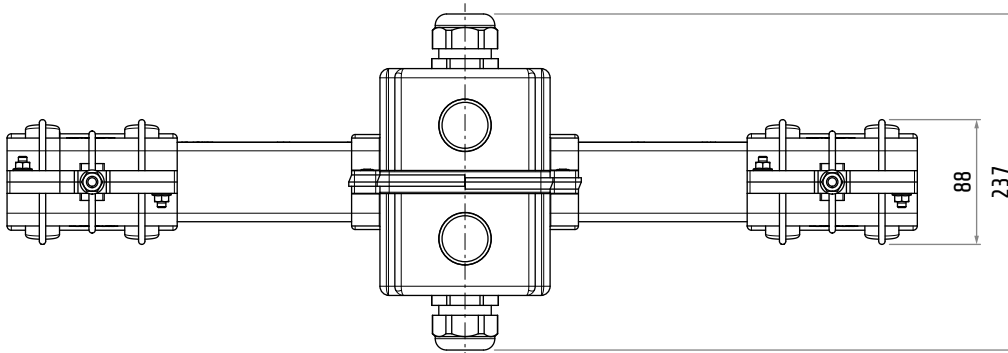
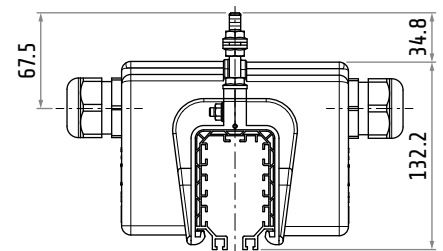
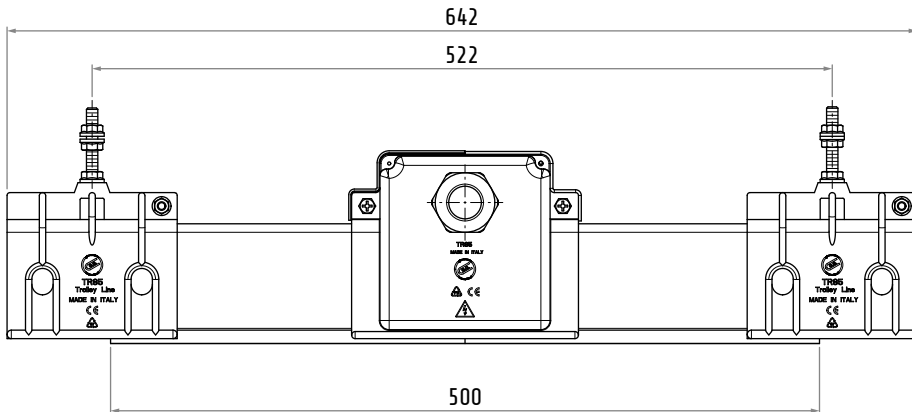


TR85H7P03W

IN-LINE FEED



Material	body busbar hardware	nylon PVC galvanized steel
Weight	~1560 g	

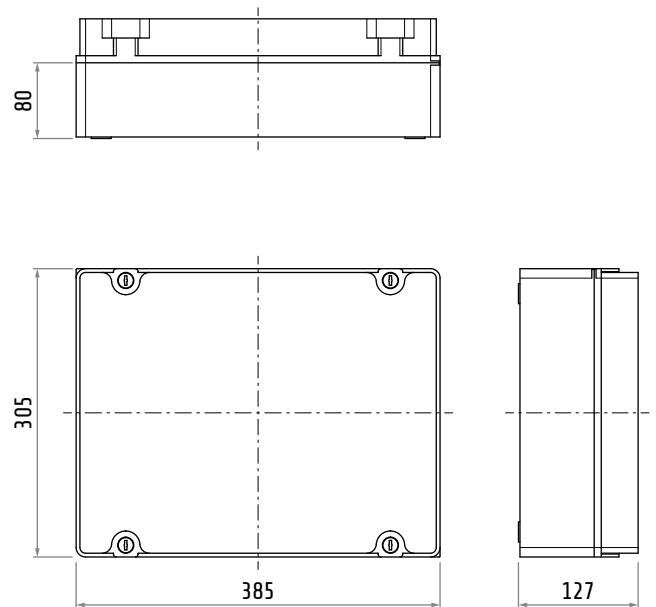
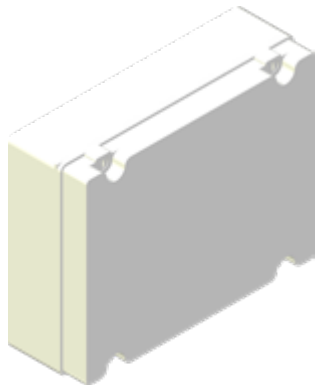


Dimensions in mm / illustrations NOT in scale



TR8564

TRANSITION BOX



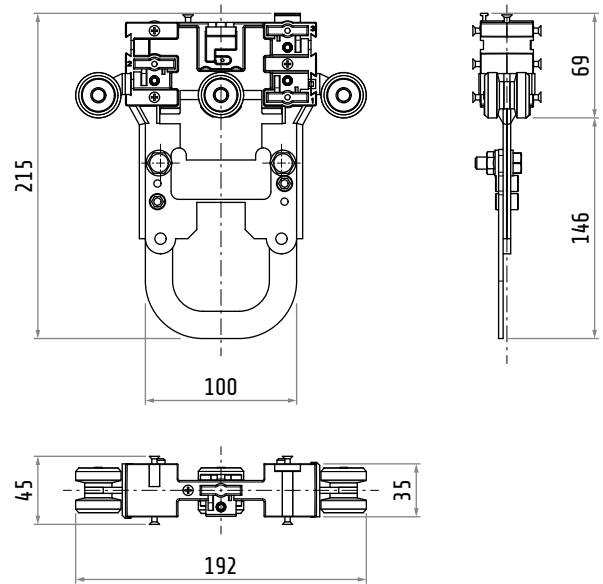
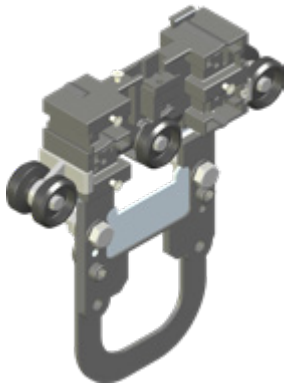
Material	body	ABS
Weight		~3.2 kg

Carries cable glands and connection clamps inside.



TR85H7P14

CONDUCTOR INSERTION TROLLEY

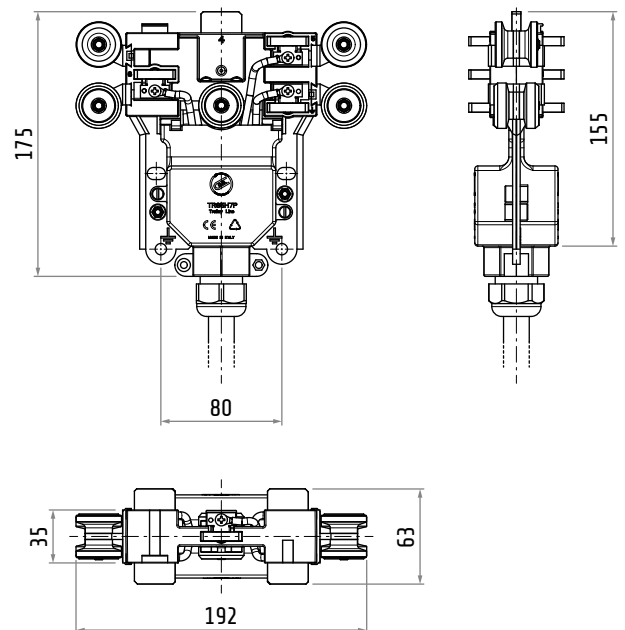
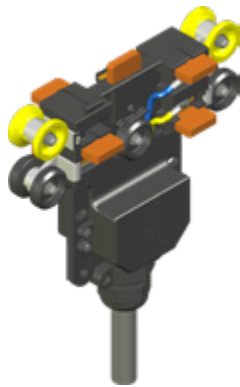


Material	body	nylon and galvanized steel
	hardware	galvanized steel
Weight	~400 g	



TR85H7P001

SINGLE TROLLEY CURRENT COLLECTOR

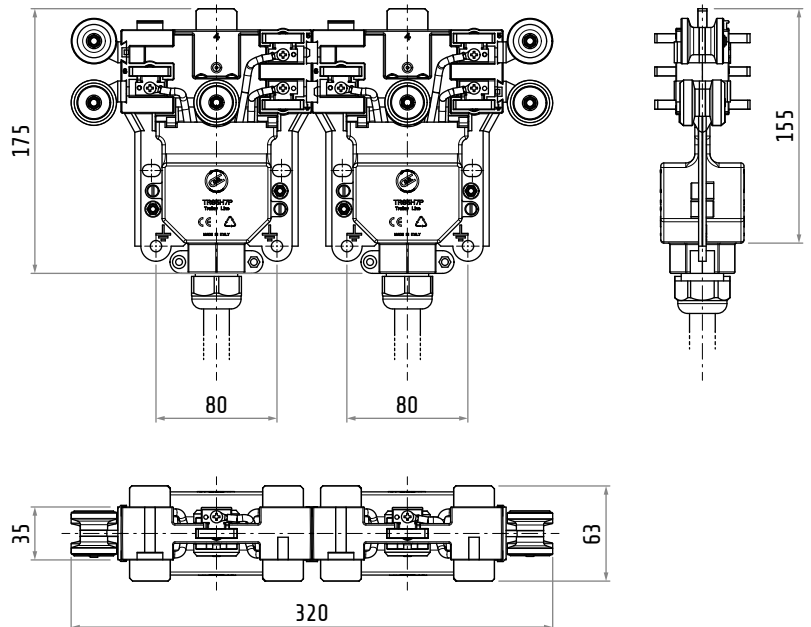
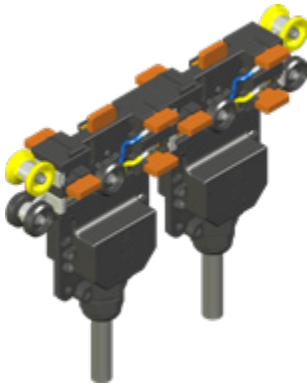


Material	body	nylon
	conductors	metal carbon
Weight		~1370 g
Amperage		35 A
Conductors		7



TR85H7P002

DOUBLE TROLLEY CURRENT COLLECTOR

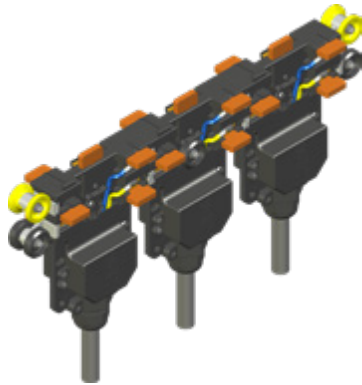


Material	body	nylon
	conductors	metal carbon
Weight	~2700 g	
Amperage	70 A	
Conductors	7	

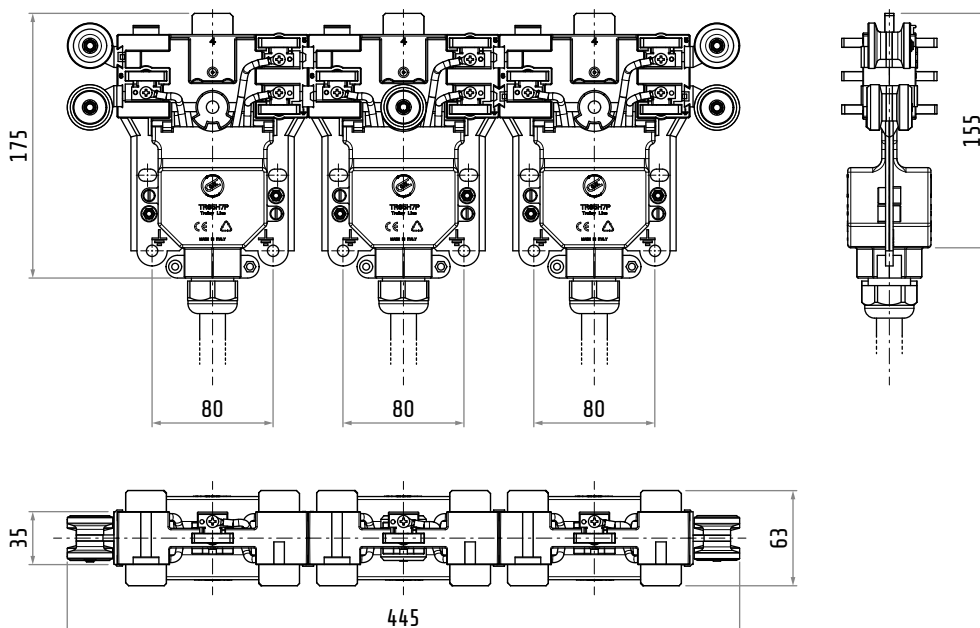


TR85H7P010

TRIPLE TROLLEY CURRENT COLLECTOR



Material	body conductors	nylon metal carbon
Weight		~4000 g
Amperage		105 A
Conductors		7

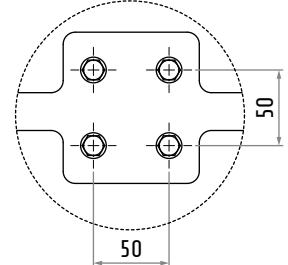
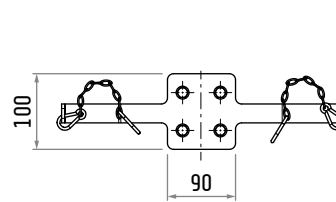
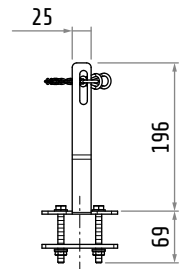
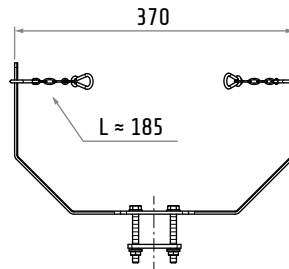
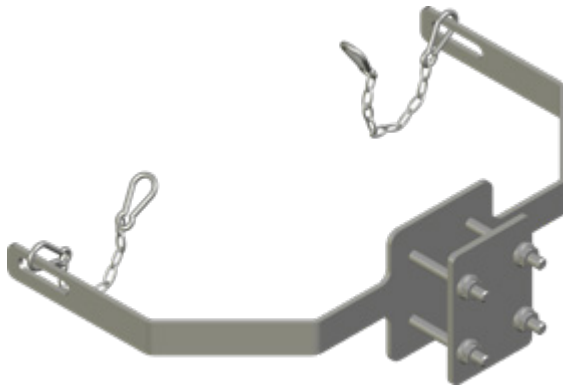


Dimensions in mm / illustrations NOT in scale



TR8557

TOWING ARM WITH CHAIN

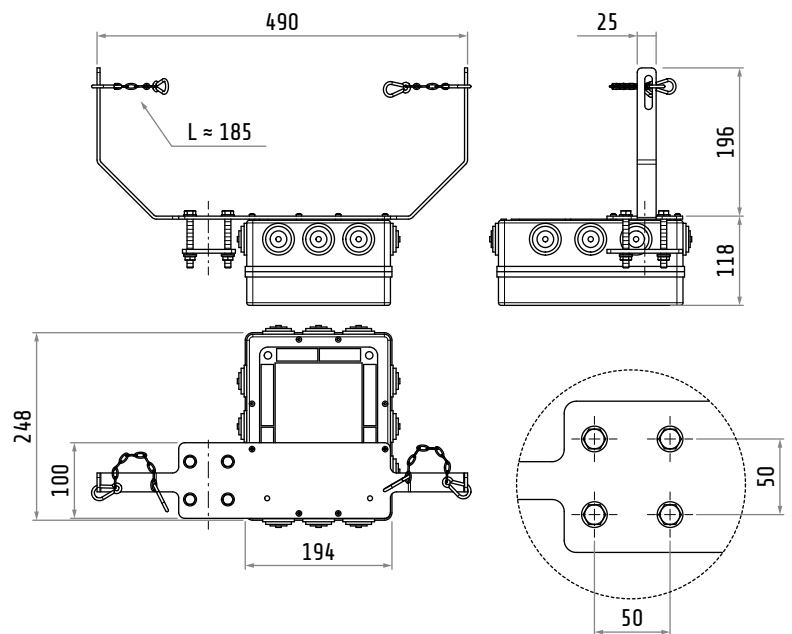
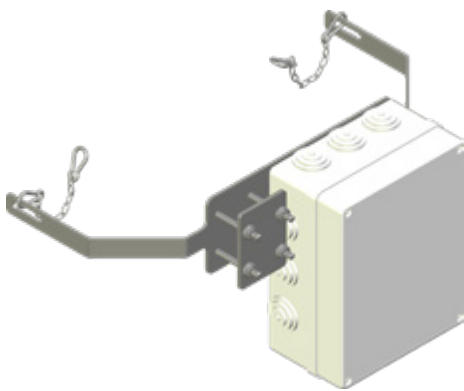


Material	body	galvanized steel
	hardware	galvanized steel
Weight		~1.4 kg



TR8558

DOUBLE TOWING ARM WITH CHAIN

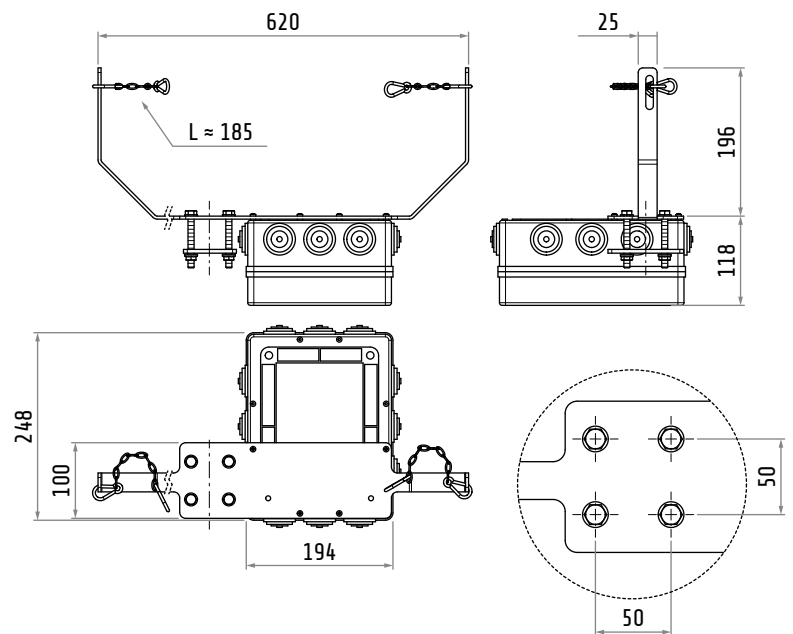
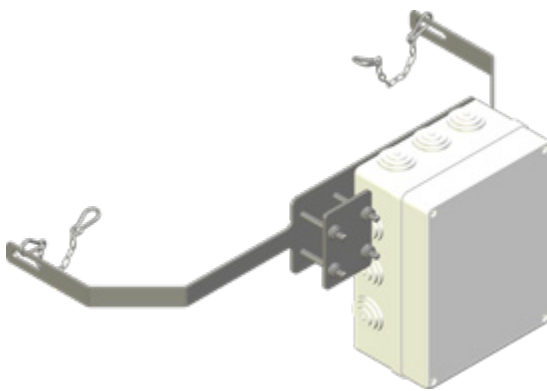


Material	body	plastic
	arm	galvanized steel
	hardware	galvanized steel
Weight	~2.4 kg	



TR8559

TRIPLE TOWING ARM WITH CHAIN

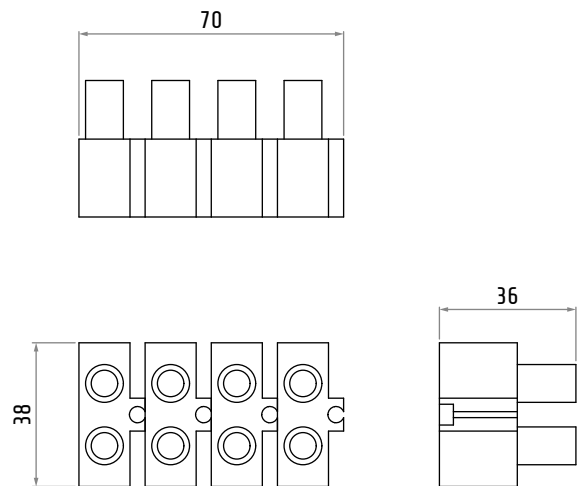
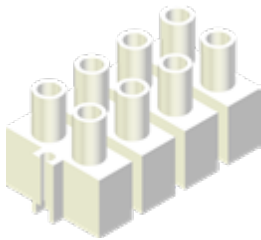


Material	body	plastic
	arm	galvanized steel
	hardware	galvanized steel
Weight		~2.7 kg



TR8561

SINGLE TROLLEY CONNECTION CLAMP

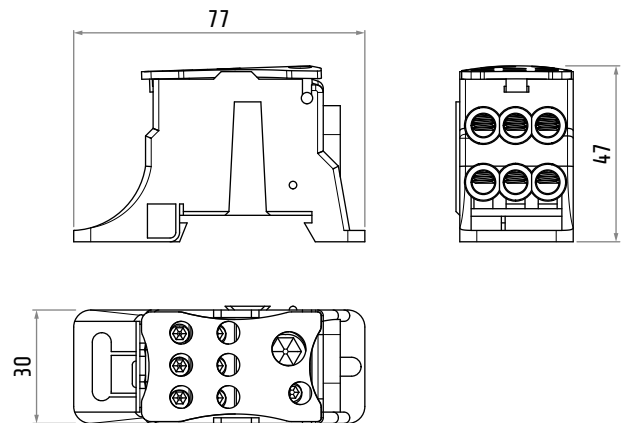
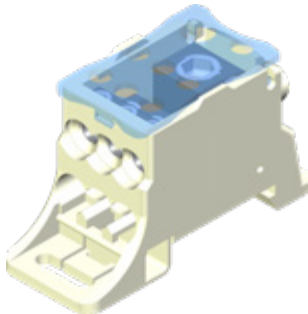


Material	plastic
Weight	~80 g



TR8562

DOUBLE / TRIPLE TROLLEY CONNECTION CLAMP

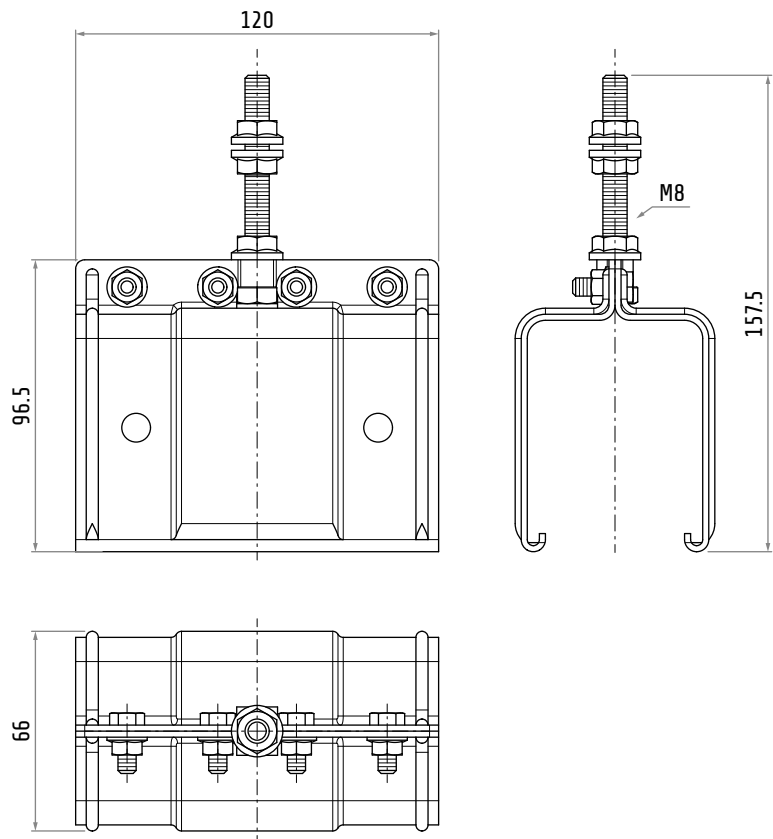
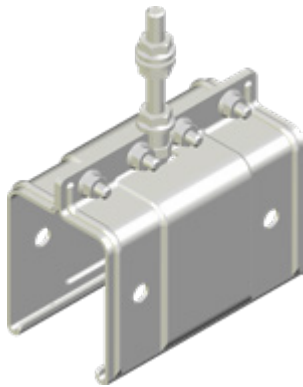


Material	plastic
Weight	~150 g



TR8527.1

FIXED POINT

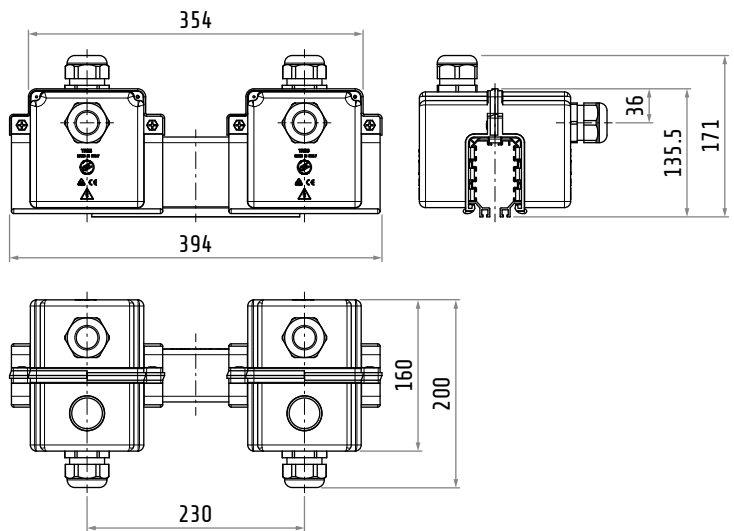
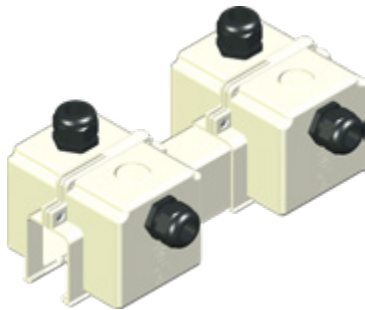


Material	body	nylon
	hardware	galvanized steel
Weight		~160 g



TR85H7P45W

SECTION JOINT

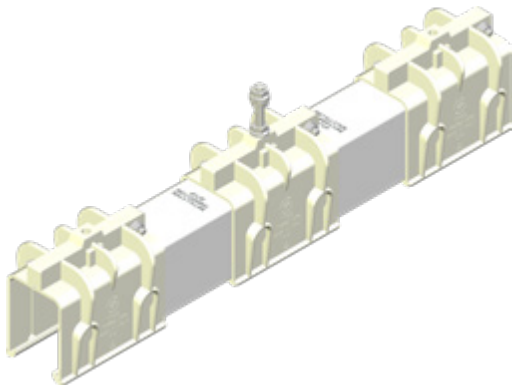


Material	body	nylon
	busbar	PVC
Weight		~1300 g

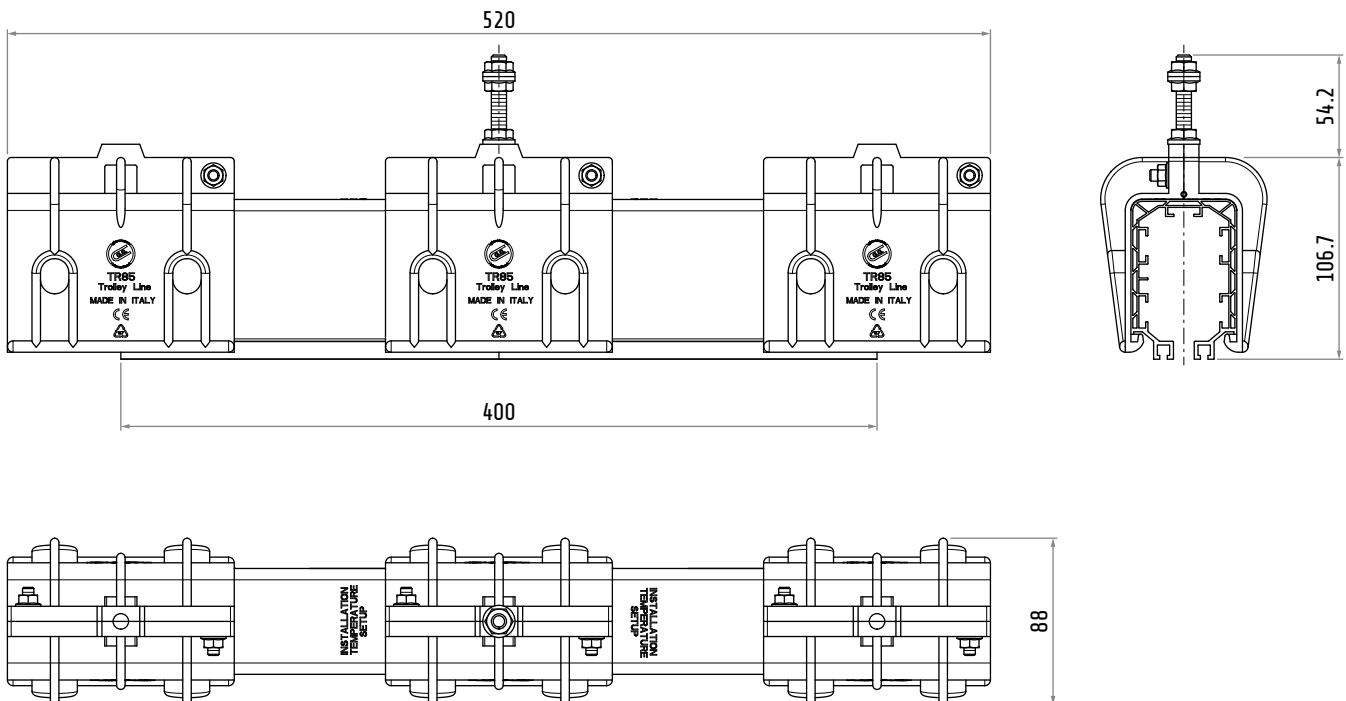


TR85H5P07W

EXPANSION JOINT



Material	body busbar	nylon PVC
Weight		~1200 g

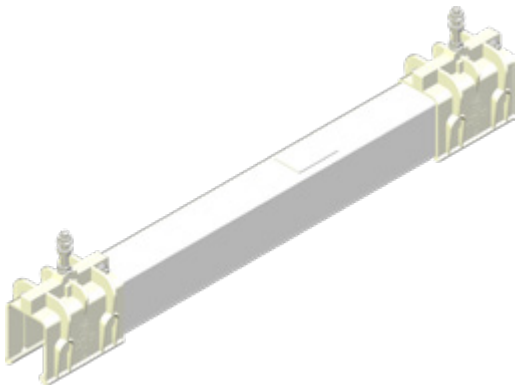


Dimensions in mm / illustrations NOT in scale

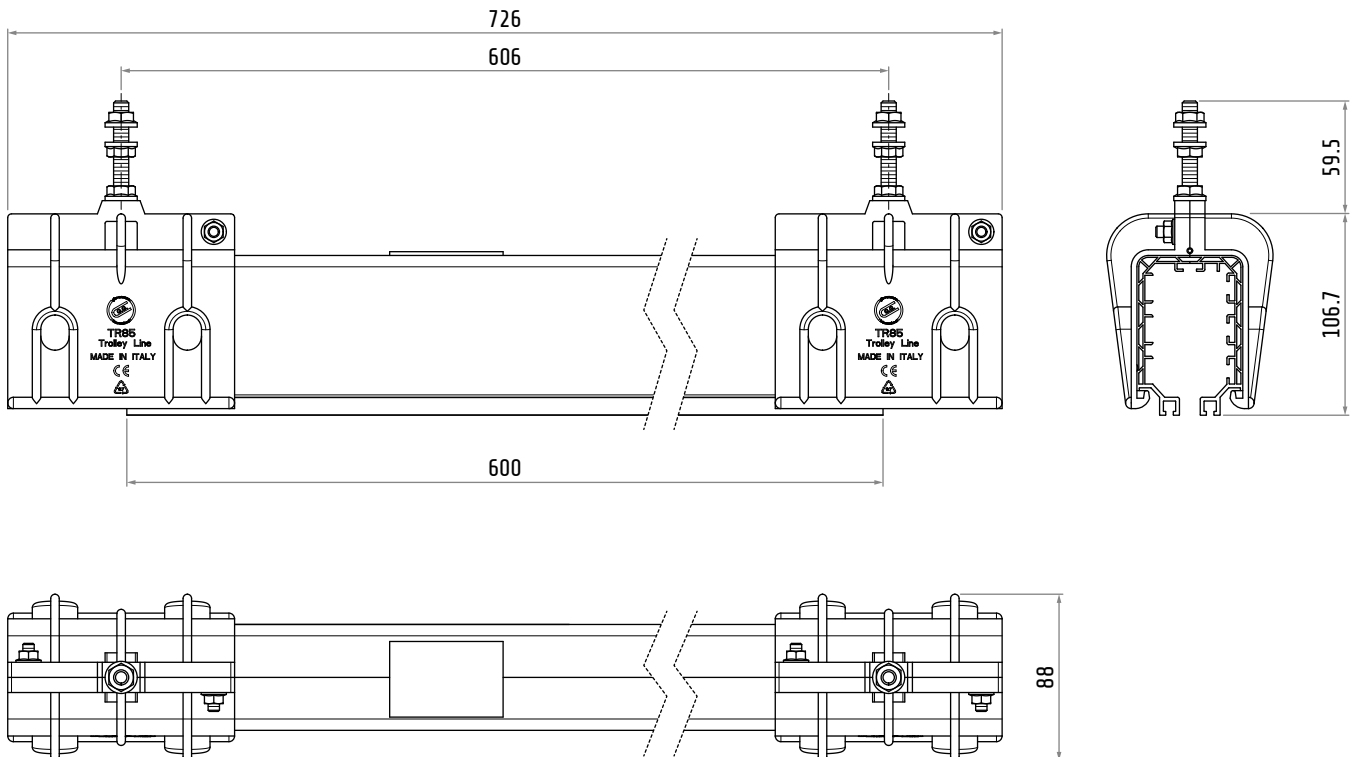


TR85H7P28W

INSPECTION JOINT



Material	body busbar	nylon PVC
Weight		~1170 g

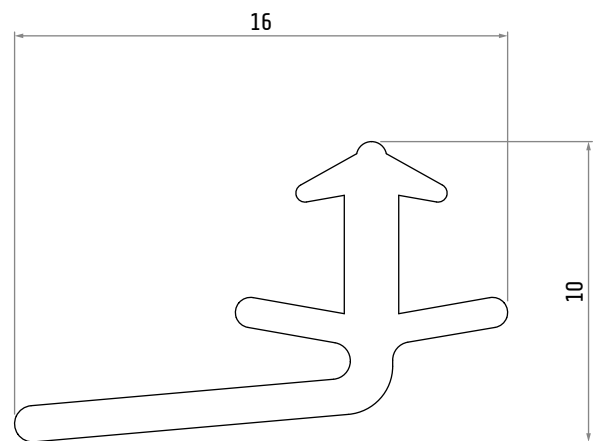
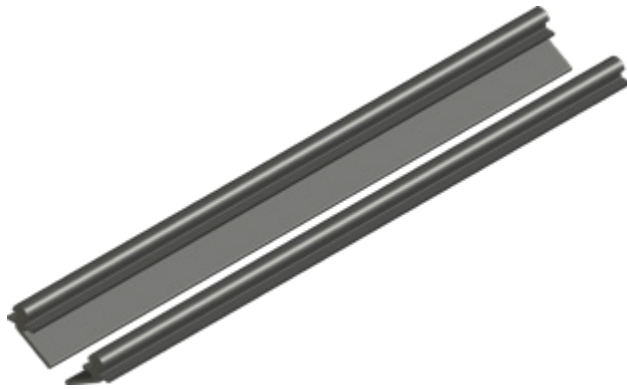


Dimensions in mm / illustrations NOT in scale



TR8505S

GASKET

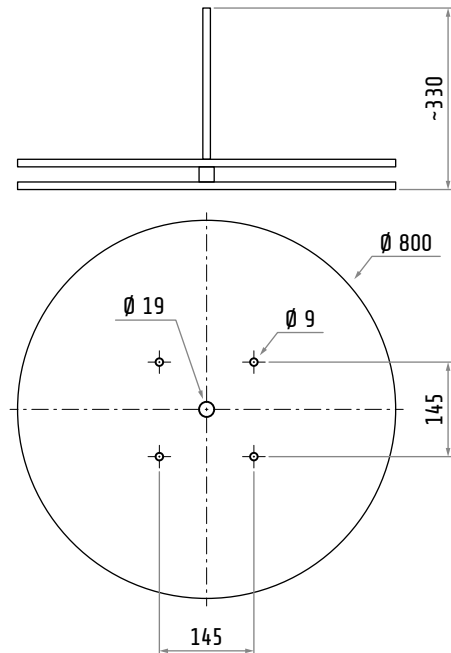
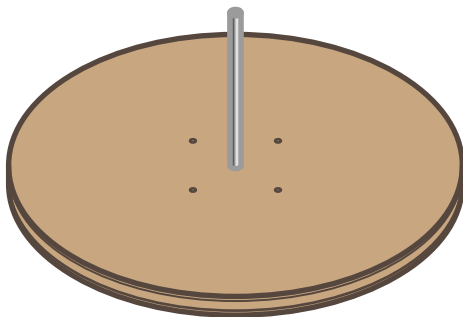


Material	PVC
Weight	~40 g/m



TR8513

COPPER DECOILER

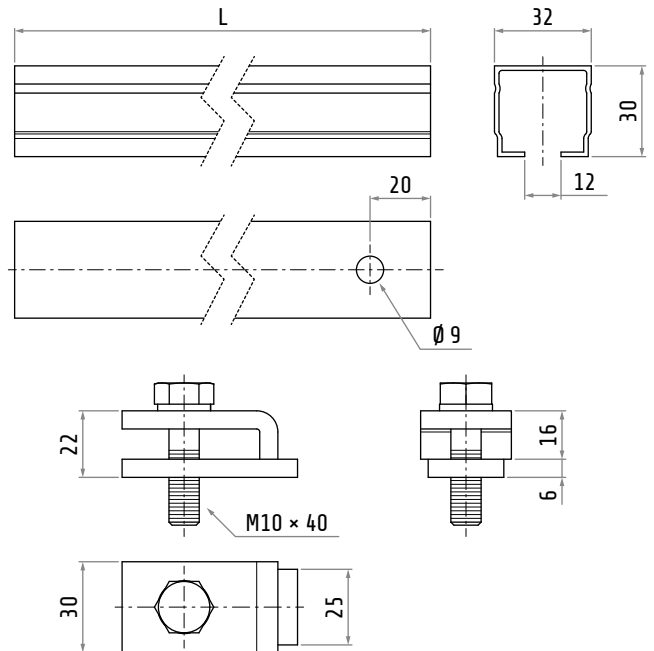
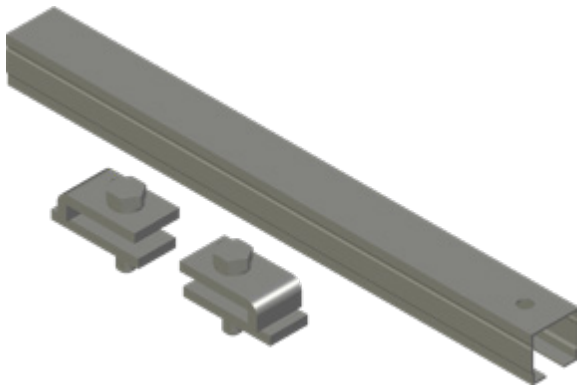


Material	body	wood
	hardware	galvanized steel
Weight		~6.8 kg



TR8550 TR8551 TR8552

SUPPORT BRACKET



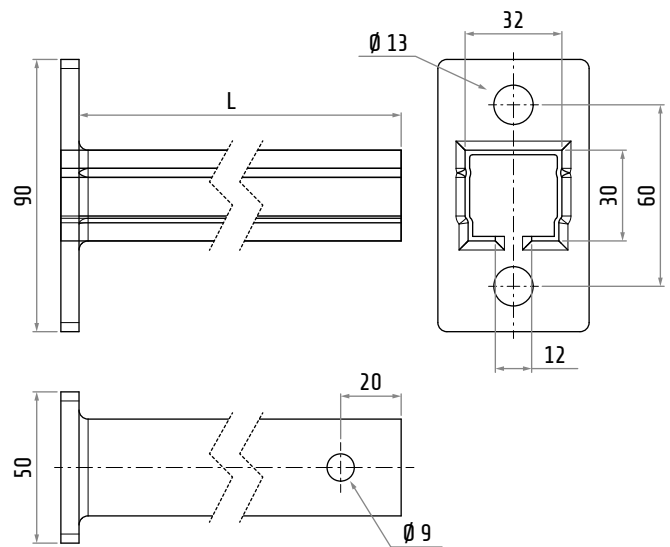
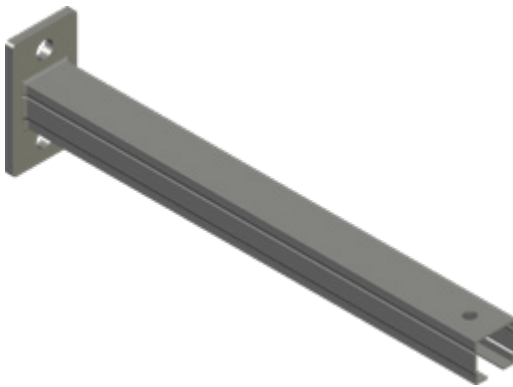
Material	galvanized steel	
	L	Weight
TR8550	350 mm	~780 g
TR8551	500 mm	~960 g
TR8552	700 mm	~1200 g



TR8555

TR8556

WALL FIXING SUPPORT BRACKET



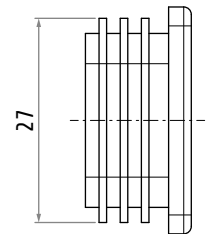
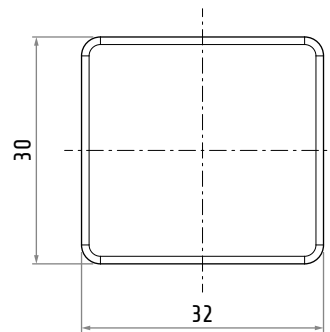
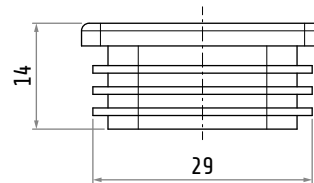
Material	galvanized steel
----------	------------------

	L	Weight
TR8555	350 mm	~640 g
TR8556	500 mm	~820 g



30607015

END CAP

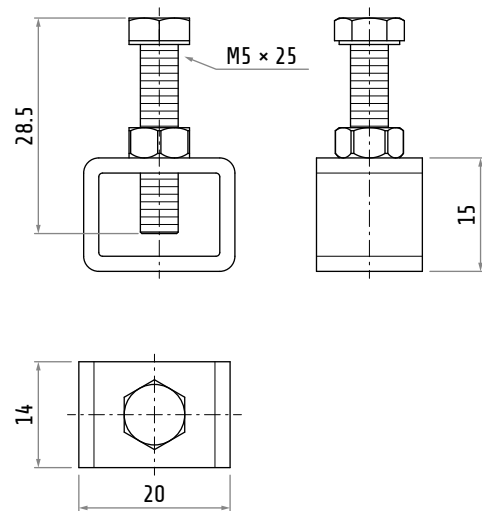


Material	nylon
Weight	~6 g



TR8546

CONDUCTORS CONNECTION CLAMP

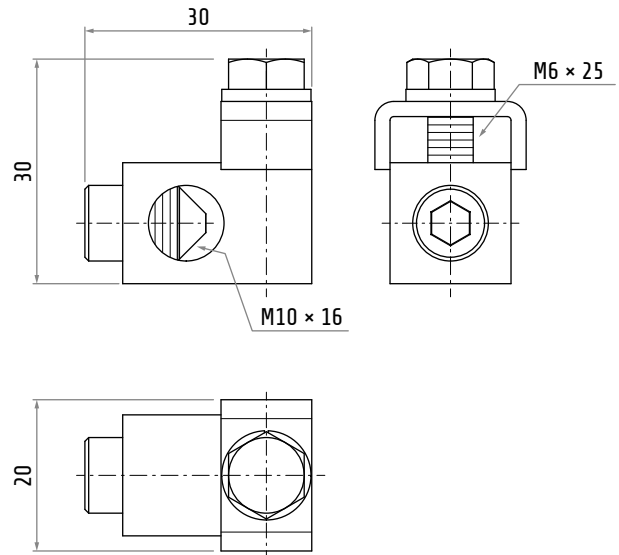
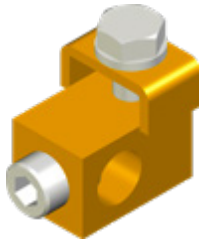


Material	galvanized steel
Weight	~18 g



TR8537

CONDUCTORS CONNECTION CLAMP FOR INLINE FEEDING BOX



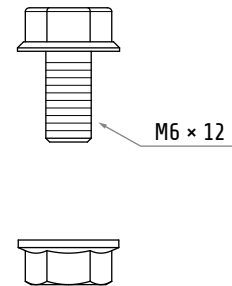
Material	body	brass
	hardware	galvanized steel
Weight		~60 g



11606075

11612013

CONDUCTORS CONNECTION KIT

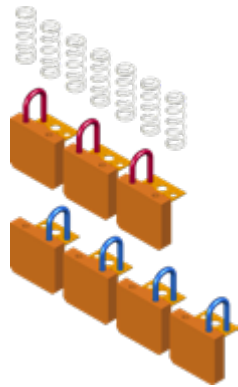


Material		galvanized steel
Weight	11606075	~6 g
	11612013	~3.5 g



TR85H7P020K

BRUSH KIT REPLACEMENT FOR TR85H7P001,
TR85H7P002 AND TR85H7P010

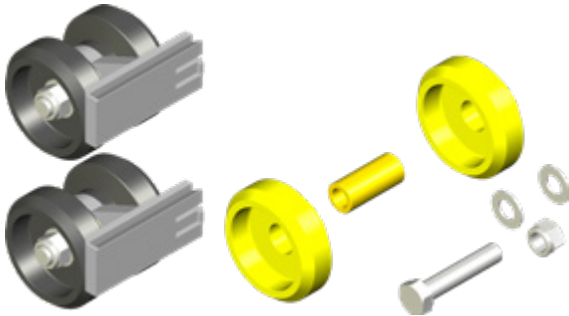


Material	contact spring	metal carbon galvanized steel
Weight		~210 g



TR85H7P021K

WHEELS KIT REPLACEMENT FOR TR85H7P001,
TR85H7P002 AND TR85H7P010



Material	wheel hardware	nylon galvanized steel
Weight		~75 g