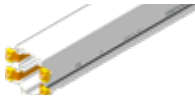

























Energy transmission system fitted with 4 or 5 conductors with joints.
Operating current: 40, 70, 100 or 140 A, depending on the busbar.
Marking: CE, EAC.

TR85H5P PRE-MOUNTED

BUSBAR SYSTEM WITH 4 OR 5 PRE-MOUNTED CONDUCTORS (SIZES: 40 A, 70 A, 100 A, 140 A)

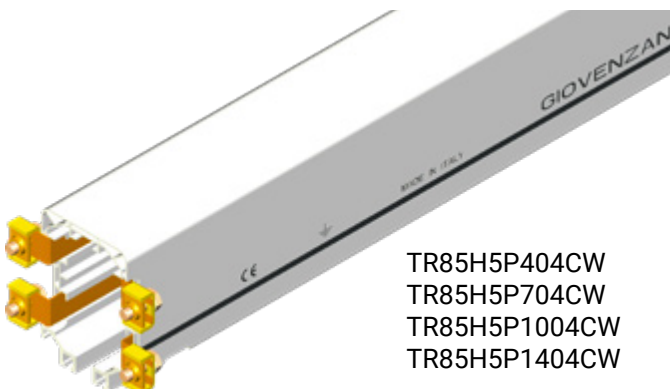
	TR85H5P..4CW 4 conductors 40 / 70 / 100 / 140 A busbar
	TR85H5P..5CW 5 conductors 40 / 70 / 100 / 140 A busbar
	TR8535W Plastic and metallic joint unit
	TR8502W - TR8525 Plastic and metallic hanger clamp
	TR8506W End cap
	TR85H5P03A4W 4 conductors head feed
	TR85H5P03A5W 5 conductors head feed
	TR8547W In-line feed
	TR85H5P34A...W 4 or 5 conductors left end transfer guide
	TR85H5P35A...W 4 or 5 conductors right end transfer guide
	TR8511 - TR8512 4 or 5 conductors trolley current collector (35 A)
	TR8518 - TR8519 4 or 5 conductors trolley current collector (70 A)
	TR8516 4 conductors trolley current collector for curves (35 A)

	TR8532 4 conductors trolley current collector for curves (70 A)
	TR8538 Spring loaded towing arm
	TR8557 Towing arm with chain
	TR6007 Towing arm bracket
	TR8510 Towing arm
	TR8523 Double trolley support
	TR8527.1 Fixed point
	TR85H5P45W Section joint
	TR8505S Gasket
	Accessories

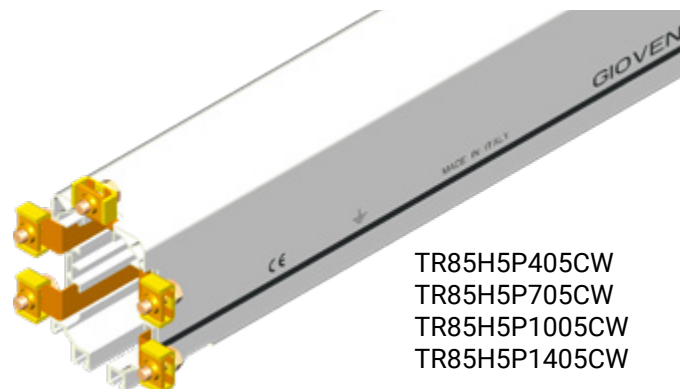


TR85H5P...4CW TR85H5P...5CW

BUSBAR

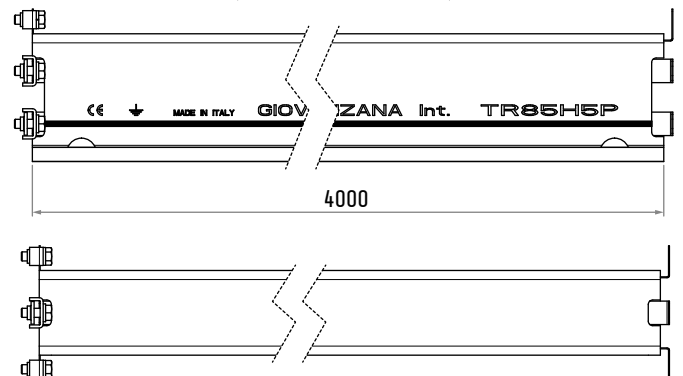
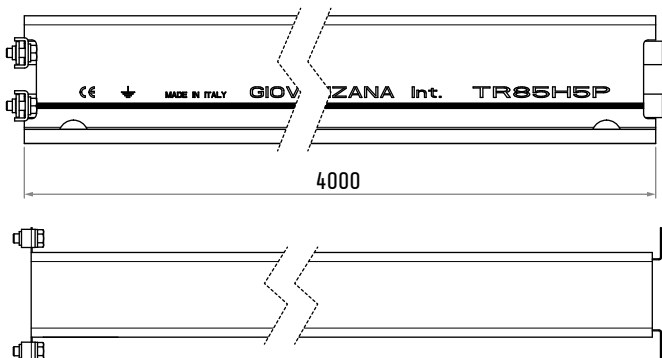
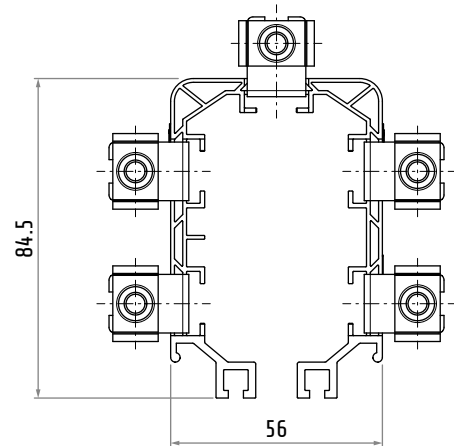
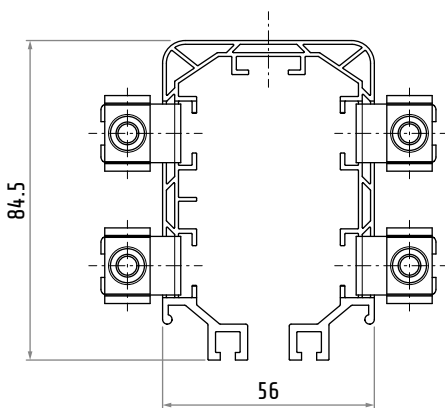


TR85H5P404CW
TR85H5P704CW
TR85H5P1004CW
TR85H5P1404CW



TR85H5P405CW
TR85H5P705CW
TR85H5P1005CW
TR85H5P1405CW

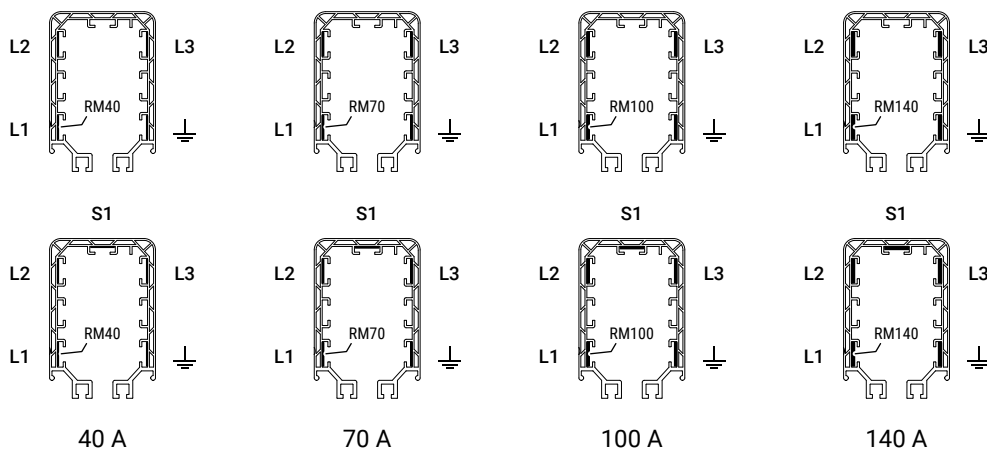
Custom curved bars available on request (with 4 conductors only and with a minimum radius of 1000 mm).



Dimensions in mm / illustrations NOT in scale

Conductors	4	TR85H5P404CW	TR85H5P704CW	TR85H5P1004CW	TR85H5P1404CW
	5	TR85H5P405CW	TR85H5P705CW	TR85H5P1005CW	TR85H5P1405CW
Conductors material		ETP copper	ETP copper	ETP copper	ETP copper
Rated current	23°C	40 A	70 A	100 A	140 A
Rated operating voltage	Ue	600 V AC	600 V AC	600 V AC	600 V AC
Frequency		50 Hz	50 Hz	50 Hz	50 Hz
Short circuit current		10 kA	10 kA	10 kA	10 kA
Class gG fuse rating		40 A	70 A	100 A	140 A
Resistance		$18.27 \cdot 10^{-4} \Omega/m$	$10.96 \cdot 10^{-4} \Omega/m$	$7.83 \cdot 10^{-4} \Omega/m$	$5.48 \cdot 10^{-4} \Omega/m$
Impedance		$18.36 \cdot 10^{-4} \Omega/m$	$11.01 \cdot 10^{-4} \Omega/m$	$7.87 \cdot 10^{-4} \Omega/m$	$5.55 \cdot 10^{-4} \Omega/m$
Conductors section		9.3 mm ²	15.5 mm ²	23.25 mm ²	31 mm ²
		15.5 × 0.6 mm	15.5 × 1 mm	15.5 × 1.5 mm	15.5 × 2 mm
Weight of busbar complete of conductors	4	1.40 kg/m	1.65 kg/m	1.95 kg/m	2.25 kg/m
	5	1.50 kg/m	1.80 kg/m	2.15 kg/m	2.55 kg/m

Possible configurations



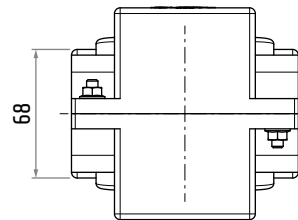
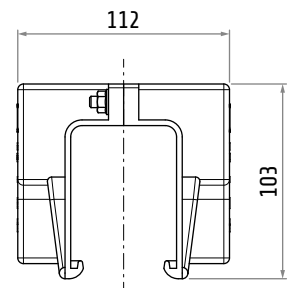
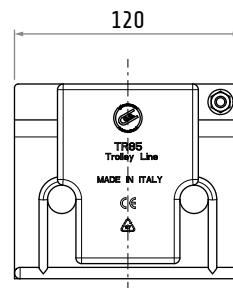
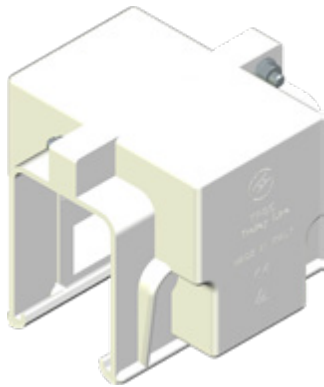
Busbar

Material		rigid PVC
Self-extinguish	UL94 DIN 4102 D.M. 6/7/83	V0 B2 CI
Ultimate tensile strenght	ISO R527 @ 23°C	430 kg/cm ³
Yield point	ISO R527 @ 23°C	460 kg/cm ³
Modulus of elasticity	ISO R178 @ 23°C	30000 kg/cm ³
Impact resistance	DIN 53453	unbroken
Dielectric strenght	ASTM 149	25 kV/mm
Softening temperature - Vicat	ISO R306 49N	82°C
Protection class	CEI EN 60529	IP13 IP44 with gasket
Flammability resistance	UL94 CEI EN 60695-2-1	V0 960°C
Ambient temperature	operating storage	-30 ... +55°C -30 ... +70°C
Admissible trolley speed	max	200 m/min



TR8535W

JOINT UNIT

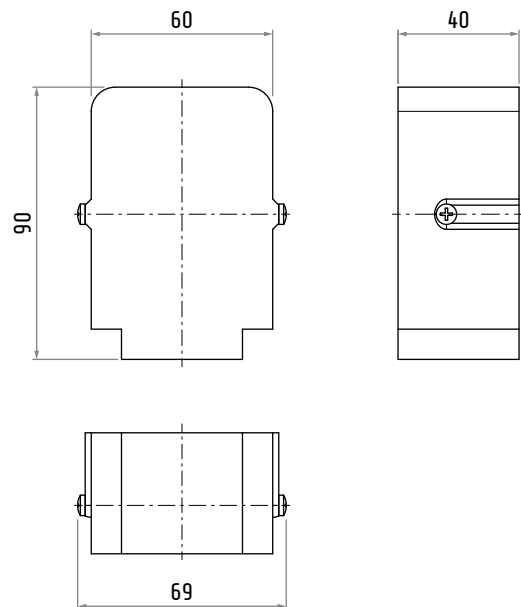
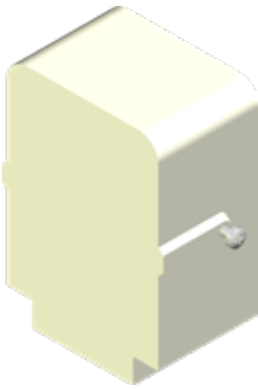


Material	body	nylon
	hardware	galvanized steel
Weight		~250 g



TR8506W

END CAP

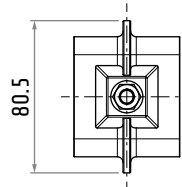
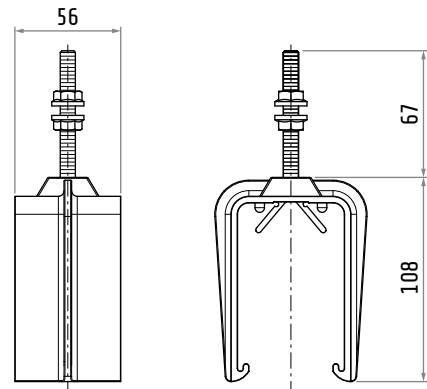


Material	body	nylon
Weight		~35 g



TR8502W

PLASTIC HANGER CLAMP

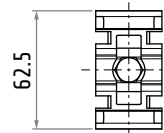
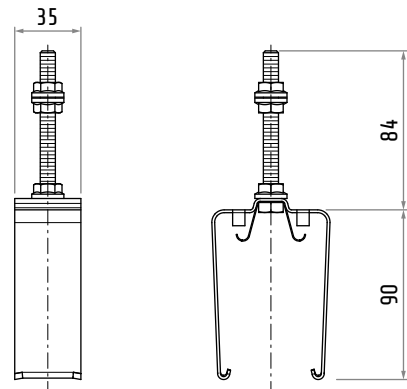
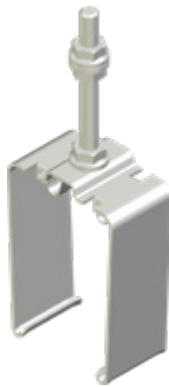


Material	body	nylon
	hardware	galvanized steel
Weight		~110 g



TR8525

METAL HANGER CLAMP

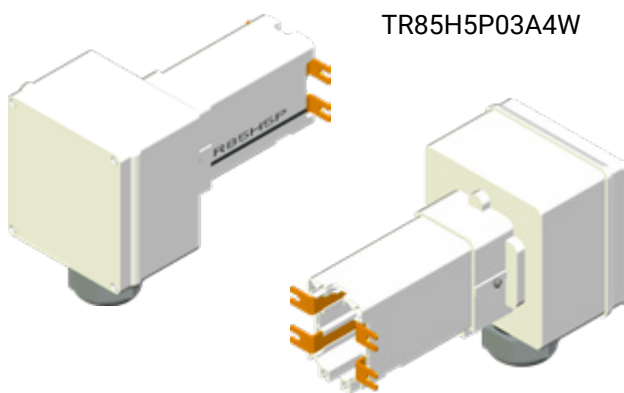


Material	body	galvanized steel
	hardware	galvanized steel
Weight		~155 g

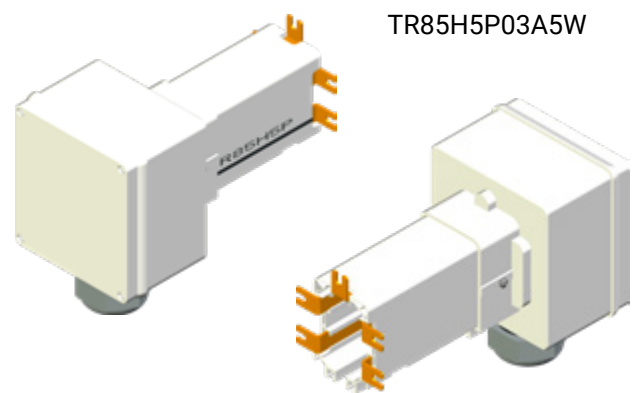
TR85H5P03A4W

TR85H5P03A5W

HEAD FEED



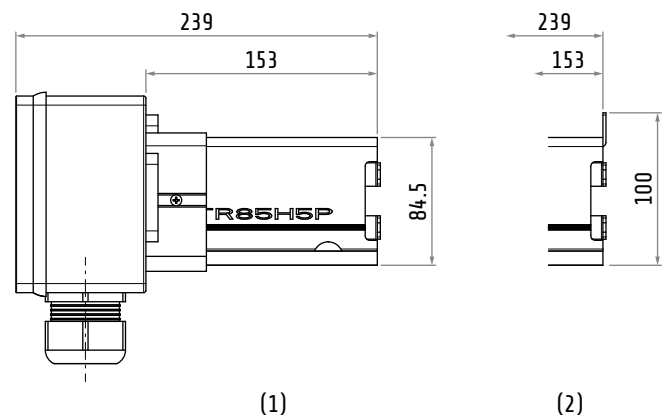
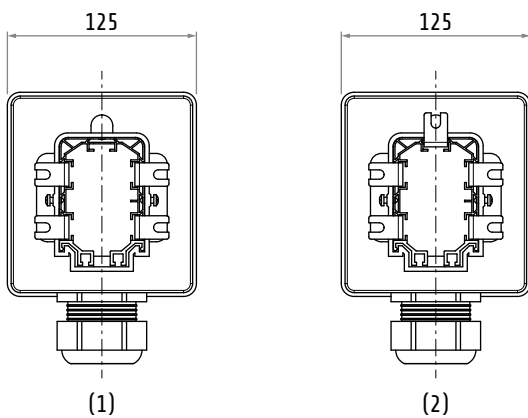
TR85H5P03A4W



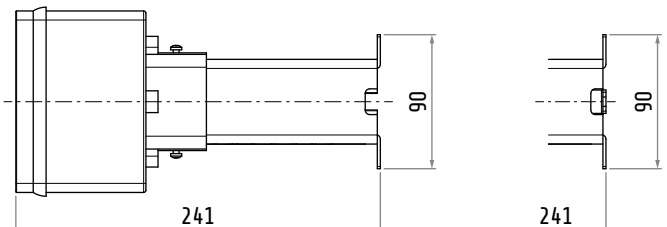
TR85H5P03A5W

Material	body busbar conductors	nylon PVC copper
Weight		~820 g
Conductors		4
Conductors section		31 mm ² 15.5 × 2 mm

Material	body busbar conductors	nylon PVC copper
Weight		~880 g
Conductors		5
Conductors section		31 mm ² 15.5 × 2 mm



- | | |
|-----|--------------|
| (1) | 4 conductors |
| (2) | 5 conductors |

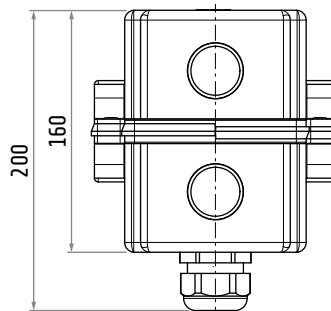
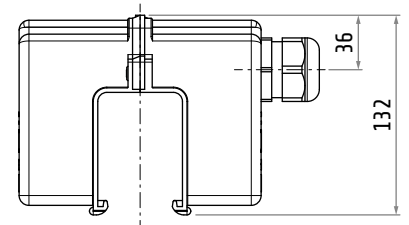
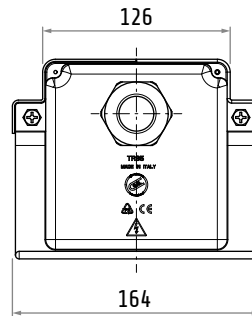
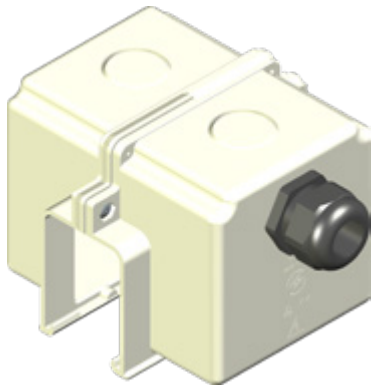


Dimensions in mm / illustrations NOT in scale



TR8547W

IN-LINE FEED



Material	body	nylon
Weight		~170 g

TR85H5P34A4W

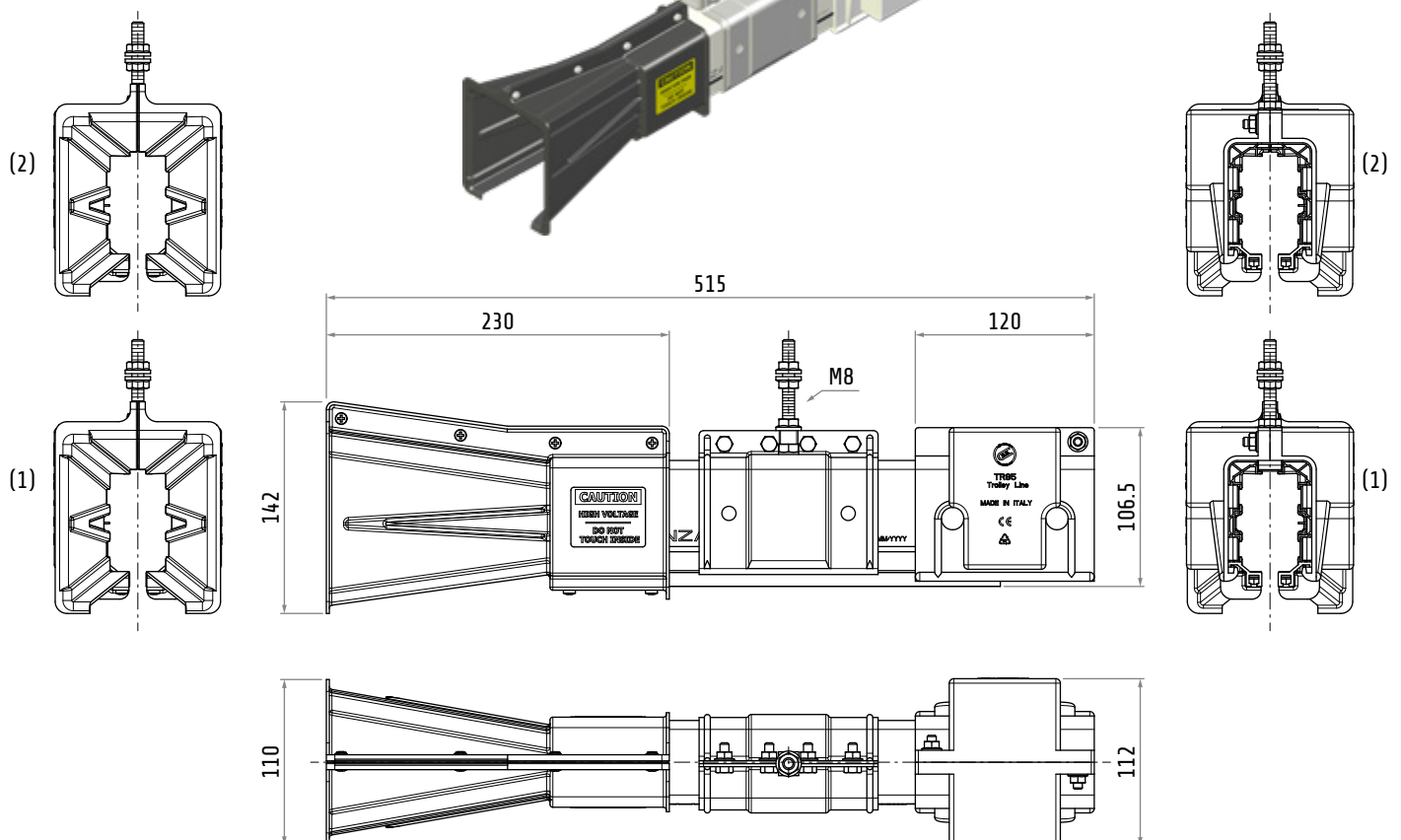
TR85H5P34A5W

LEFT END TRANSFER GUIDE

		TR85H5P34A4W	TR85H5P34A5W
Material	hanger, joint busbar guide conductors hardware	nylon PVC ABS copper galvanized steel	nylon PVC ABS copper galvanized steel
Weight		~2.4 kg	~2.7 kg
Conductors		4	5
Conductors section		31 mm ² 15.5 × 2 mm	31 mm ² 15.5 × 2 mm

- (1) 4 conductors
- (2) 5 conductors

Dimensions in mm
Illustrations NOT in scale



TR85H5P35A4W

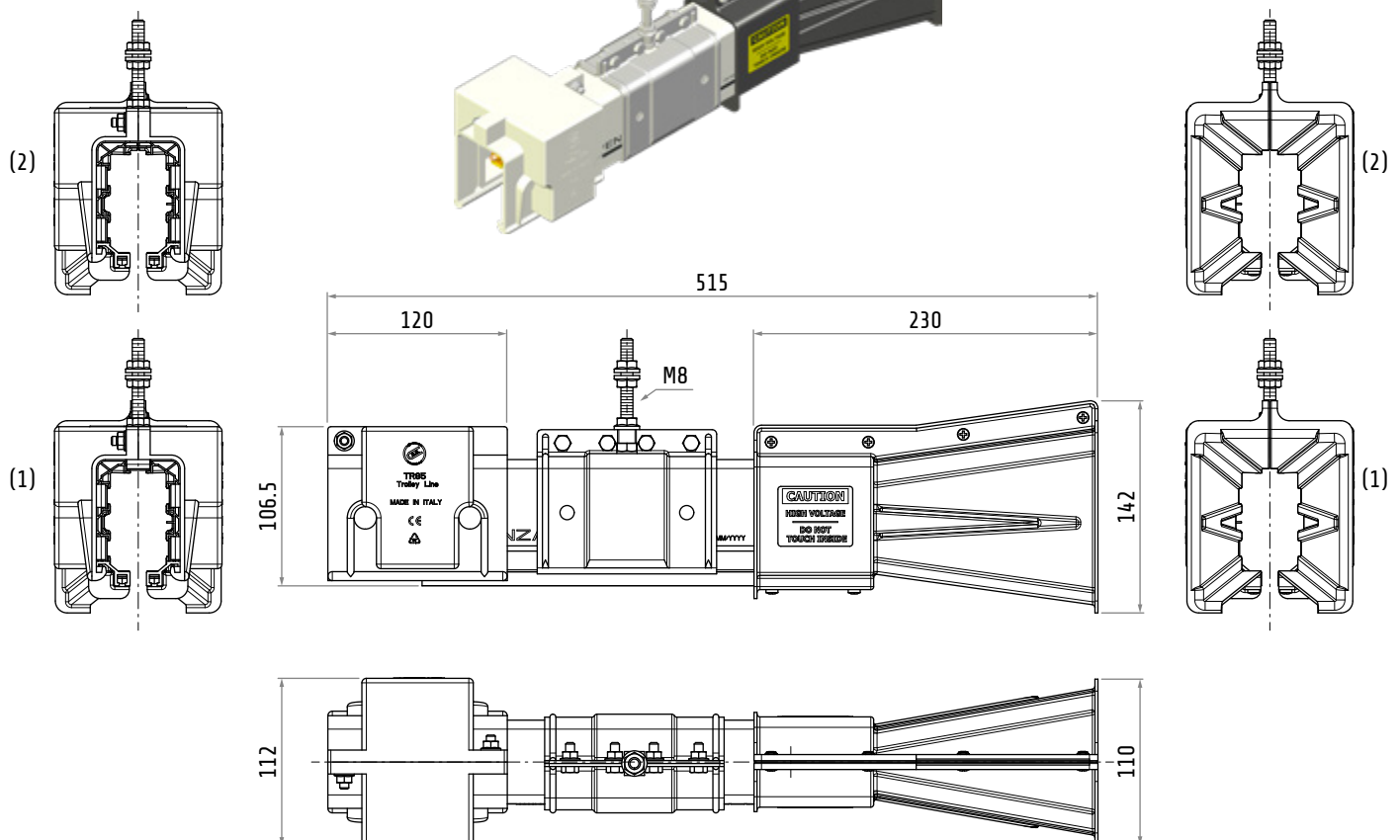
TR85H5P35A5W

RIGHT END TRANSFER GUIDE

		TR85H5P35A4W	TR85H5P35A5W
Material	hanger, joint busbar guide conductors hardware	nylon PVC ABS copper galvanized steel	nylon PVC ABS copper galvanized steel
Weight		~2.4 kg	~2.7 kg
Conductors		4	5
Conductors section		31 mm ² 15.5 × 2 mm	31 mm ² 15.5 × 2 mm

- (1) 4 conductors
- (2) 5 conductors

Dimensions in mm
Illustrations NOT in scale





TR8511

TR8512

TROLLEY CURRENT COLLECTOR (35 A)

TR8511

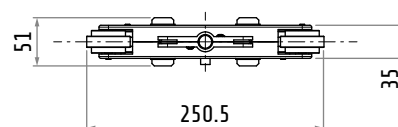
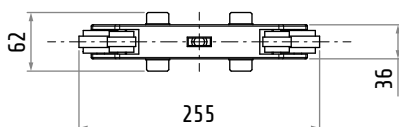
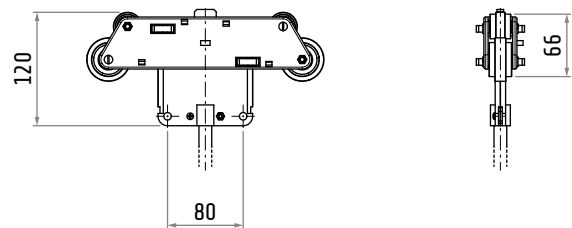
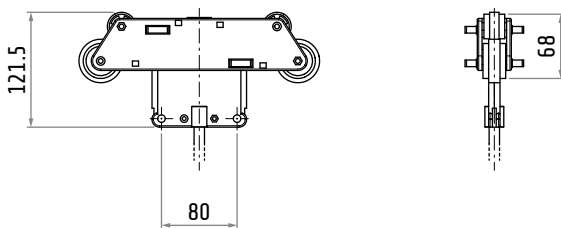


TR8512



Material	body conductors	nylon metal carbon
Weight	~255 g	
Amperage	25 A	
Conductors	4	

Material	body conductors	nylon metal carbon
Weight	~275 g	
Amperage	25 A	
Conductors	5	



Dimensions in mm / illustrations NOT in scale



TR8518

TR8519

TROLLEY CURRENT COLLECTOR (70 A)

TR8518

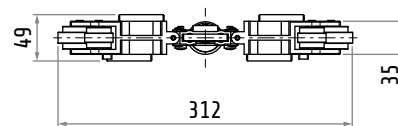
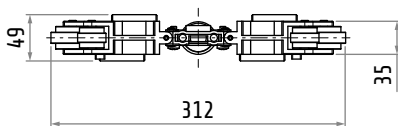
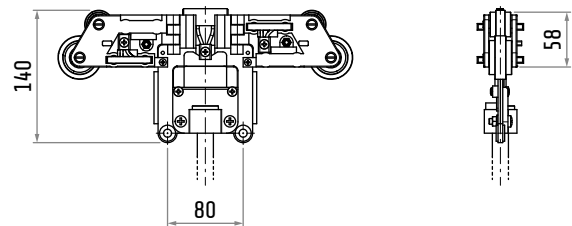
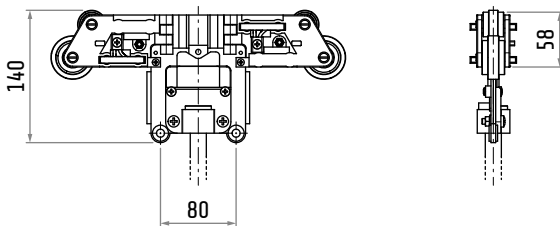


TR8519



Material	body conductors	nylon metal carbon
Weight	~255 g	
Amperage	25 A	
Conductors	4	

Material	body conductors	nylon metal carbon
Weight	~275 g	
Amperage	25 A	
Conductors	5	



Dimensions in mm / illustrations NOT in scale



TR8516

TR8532

TROLLEY CURRENT COLLECTOR FOR CURVES

TR8516

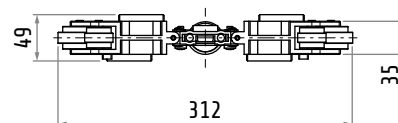
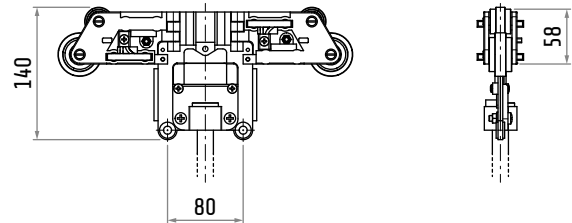
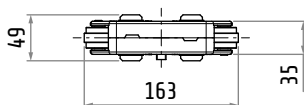
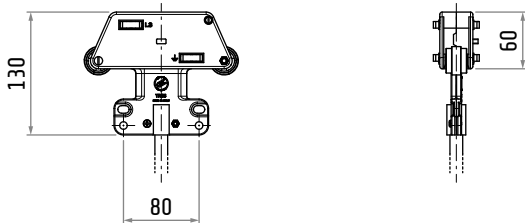


TR8532



Material	body	nylon
	conductors	metal carbon
Weight	~255 g	
Amperage	25 A	
Conductors	4	

Material	body	nylon
	conductors	metal carbon
Weight	~275 g	
Amperage	25 A	
Conductors	5	

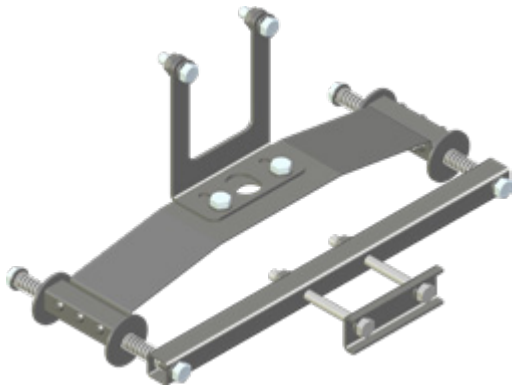


Dimensions in mm / illustrations NOT in scale

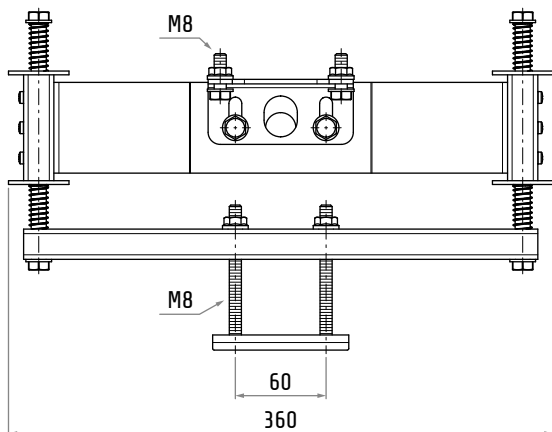
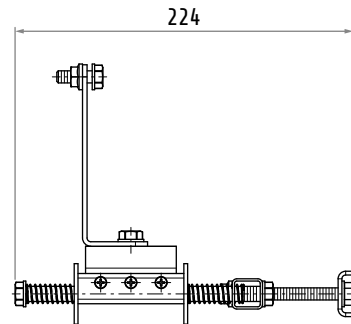
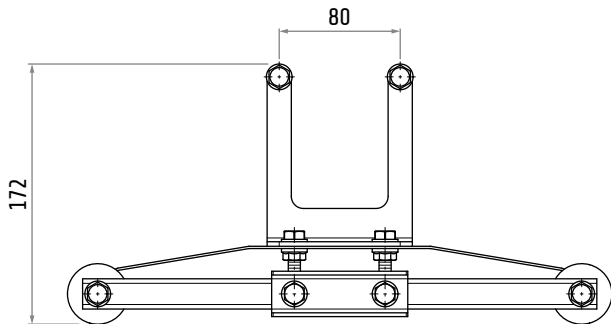


TR8538

SPRING LOADED TOWING ARM



Material	body	galvanized steel
	hardware	galvanized steel
Weight		~1.27 kg

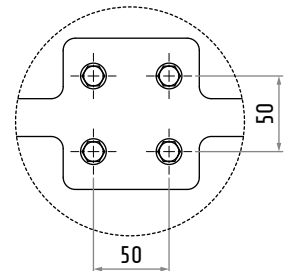
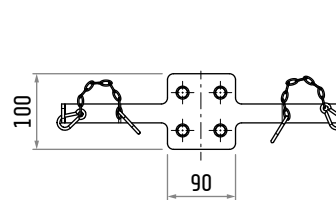
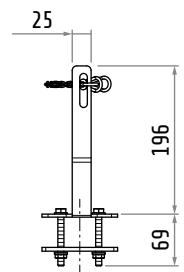
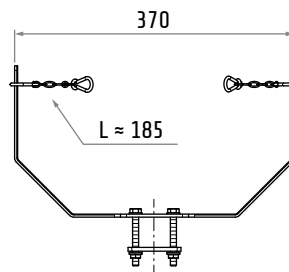
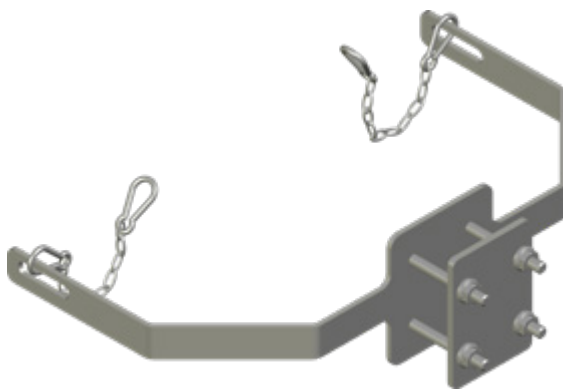


Dimensions in mm / illustrations NOT in scale



TR8557

TOWING ARM WITH CHAIN

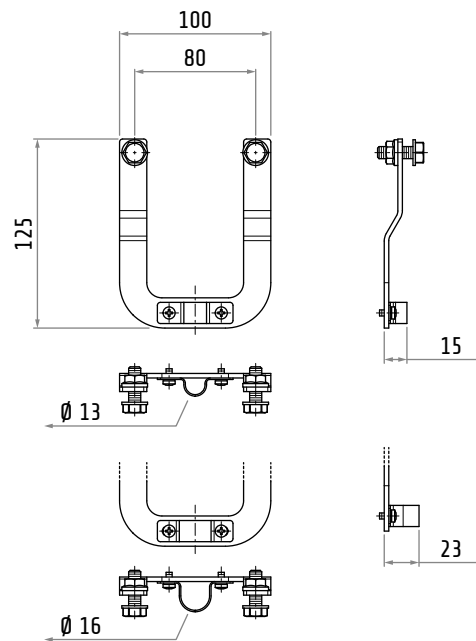
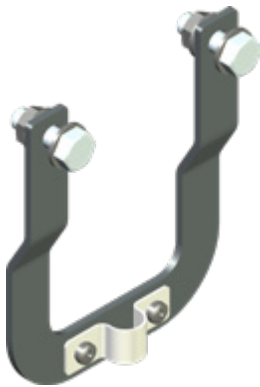


Material	body	galvanized steel
	hardware	galvanized steel
Weight		~1.4 kg



TR6007

TOWING ARM BRACKET

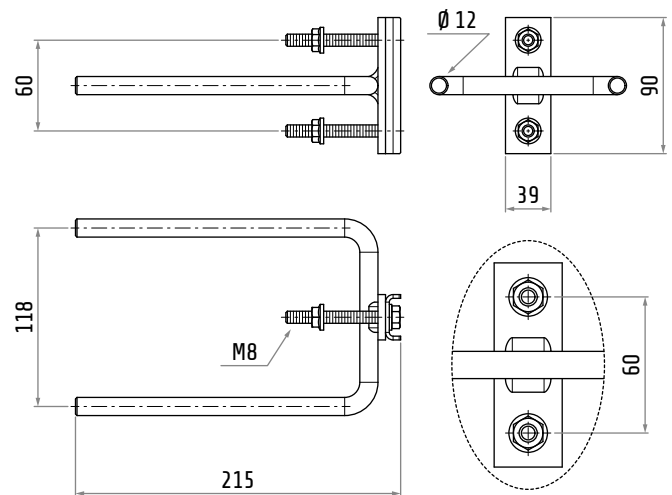
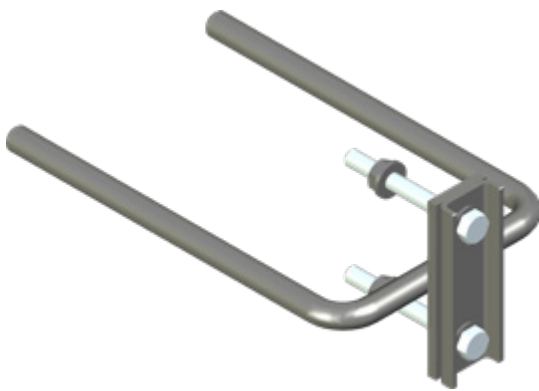


Material	body	galvanized steel
	hardware	galvanized steel
Weight		~185 g



TR8510

TOWING ARM

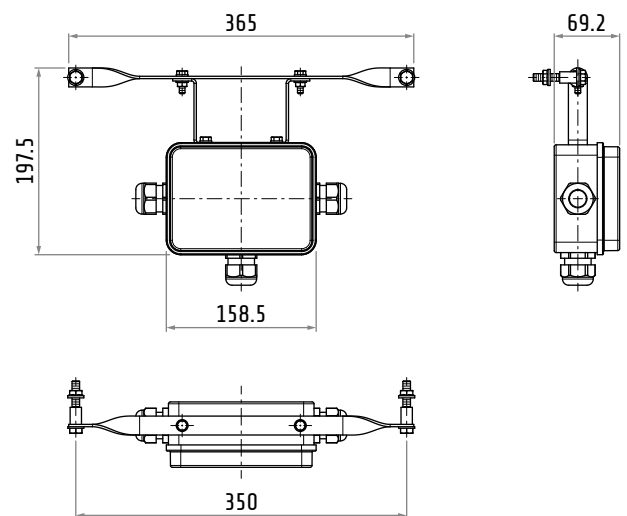
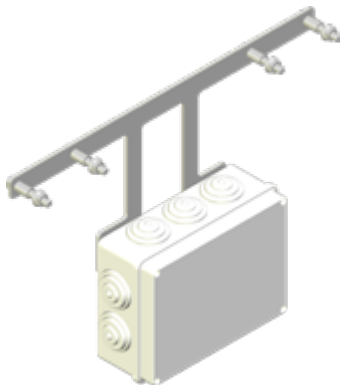


Material	body	galvanized steel
	hardware	galvanized steel
Weight		~725 g



TR8523

DOUBLE TROLLEY SUPPORT

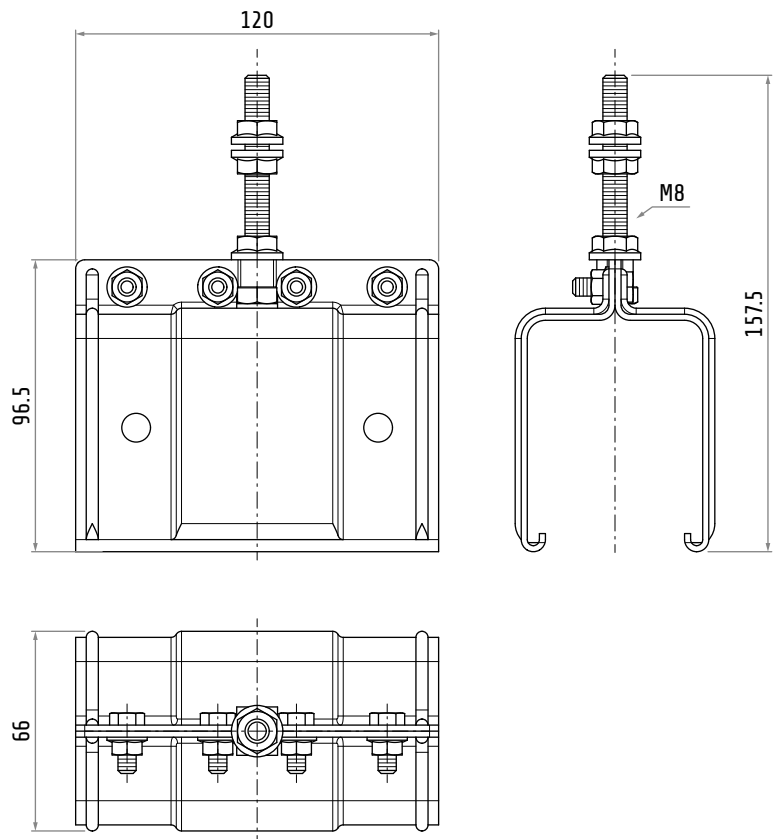
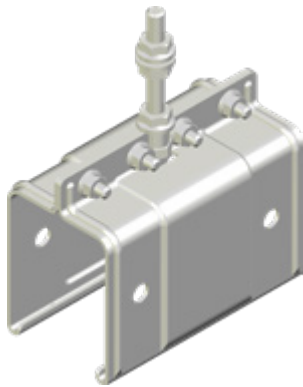


Material	box body hardware	plastic galvanized steel galvanized steel
Weight		~690 g



TR8527.1

FIXED POINT

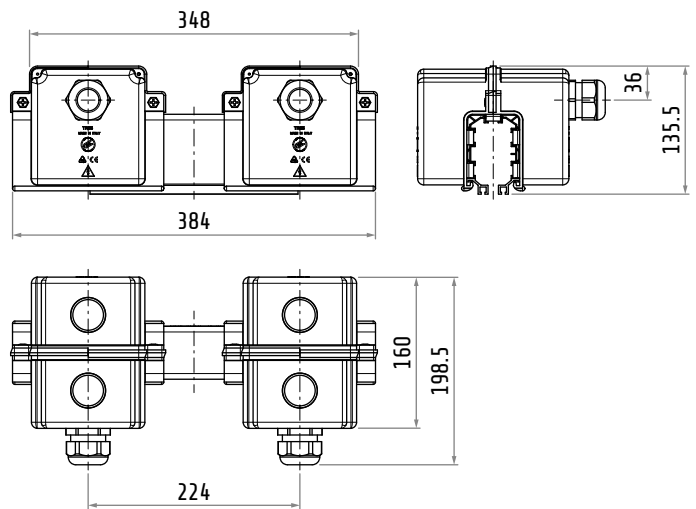
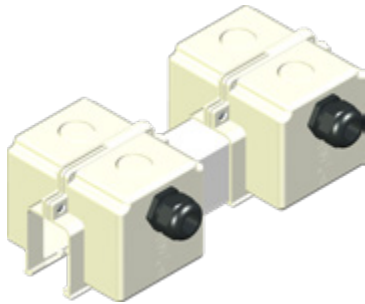


Material	body	nylon
	hardware	galvanized steel
Weight		~160 g



TR85H5P45W

SECTION JOINT

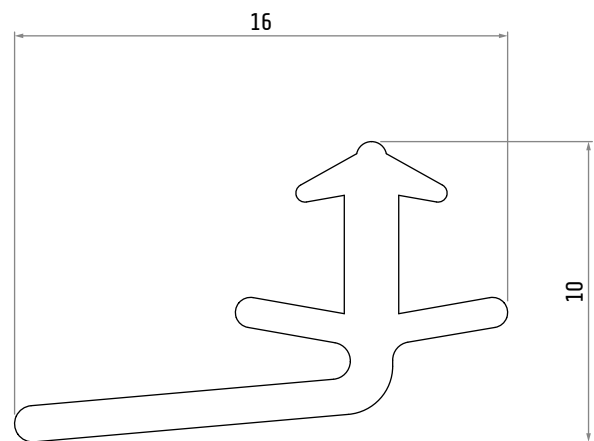
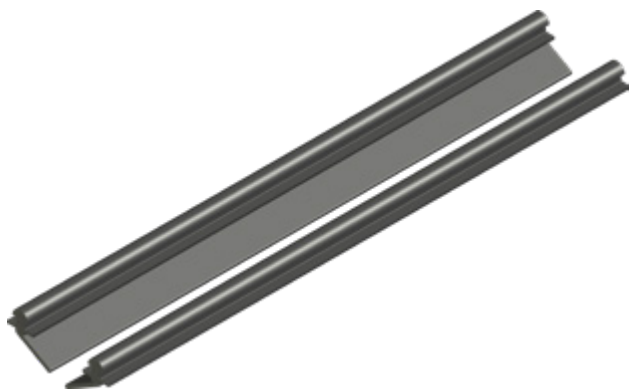


Material	body	nylon
Weight		~1300 g



TR8505S

GASKET

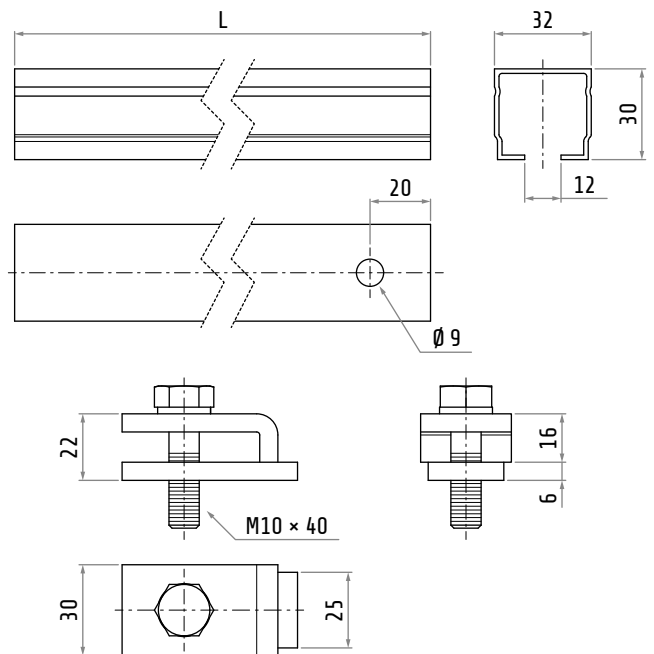
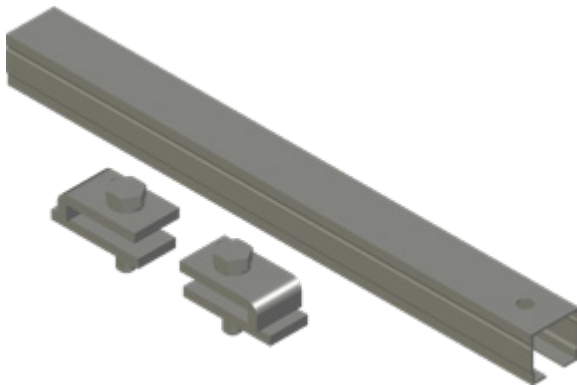


Material	PVC
Weight	~40 g/m



TR8550 TR8551 TR8552

SUPPORT BRACKET



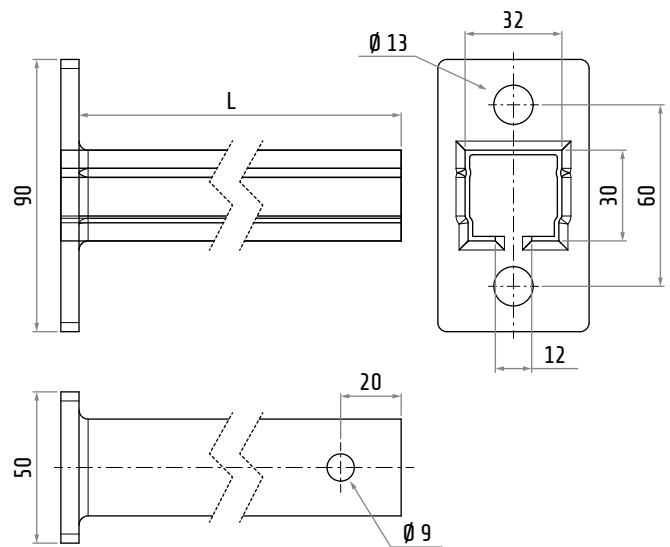
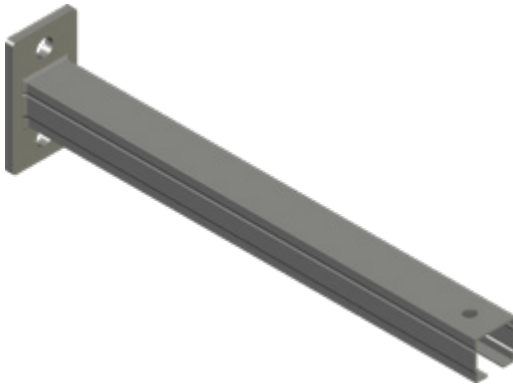
Material	galvanized steel	
	L	Weight
TR8550	350 mm	~780 g
TR8551	500 mm	~960 g
TR8552	700 mm	~1200 g



TR8555

TR8556

WALL FIXING SUPPORT BRACKET



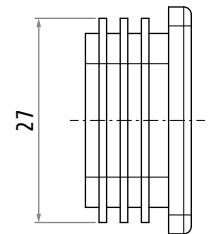
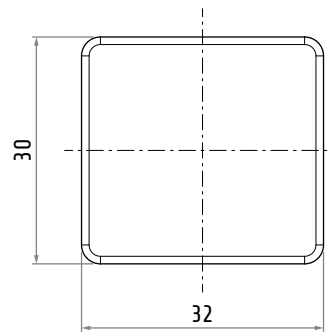
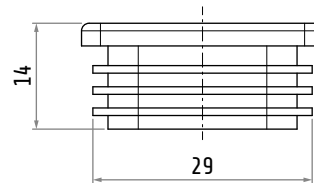
Material	galvanized steel
----------	------------------

	L	Weight
TR8555	350 mm	~640 g
TR8556	500 mm	~820 g



30607015

END CAP

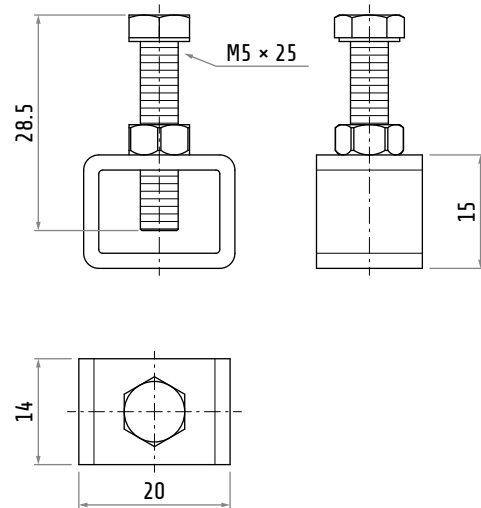
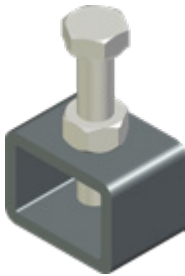


Material	nylon
Weight	~6 g



TR8546

CONDUCTORS CONNECTION CLAMP

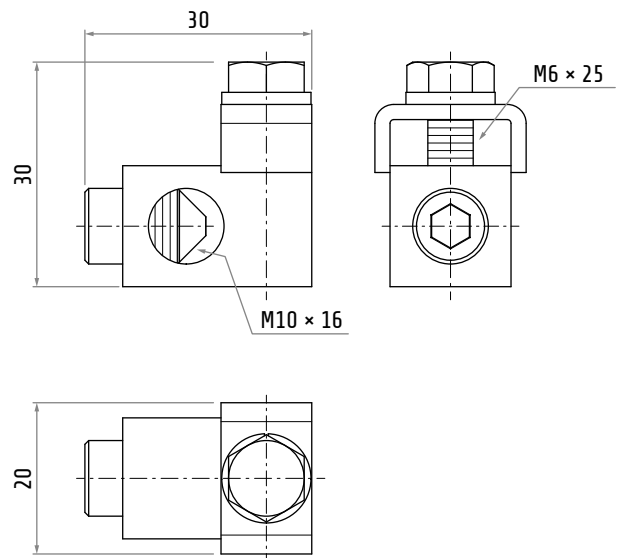
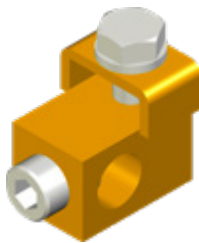


Material	galvanized steel
Weight	~18 g



TR8537

CONDUCTORS CONNECTION CLAMP FOR INLINE FEEDING BOX



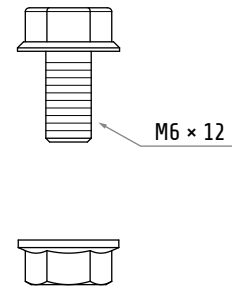
Material	body hardware	brass galvanized steel
Weight		~60 g



11606075

11612013

CONDUCTORS CONNECTION KIT

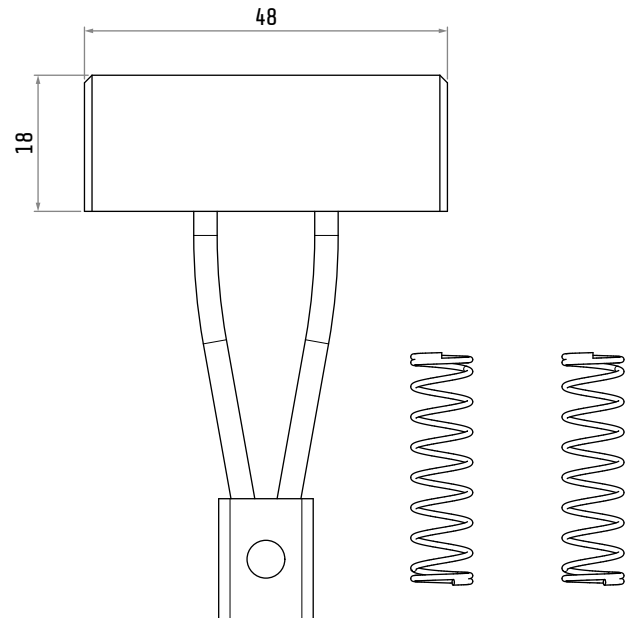
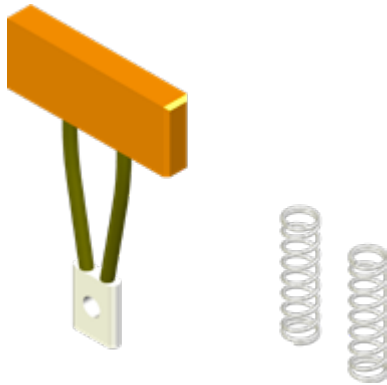


Material		galvanized steel
Weight	11606075	~6 g
	11612013	~3.5 g



TR8520K

BRUSH KIT REPLACEMENT FOR TR8518, TR8519 AND TR8532



Material	contact spring	metal carbon
	spring	galvanized steel
Weight		~60 g