
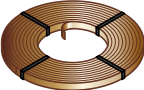























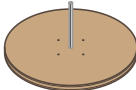



Energy transmission system to be fitted with 4 or 5 conductors without joints.
Operating current: 40, 70, 100 or 140 A, depending on the conductors to be fitted.
Marking: CE, EAC.

TR85H5P CONTINUOUS

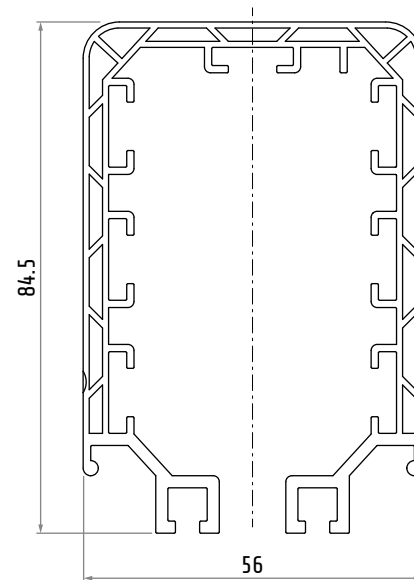
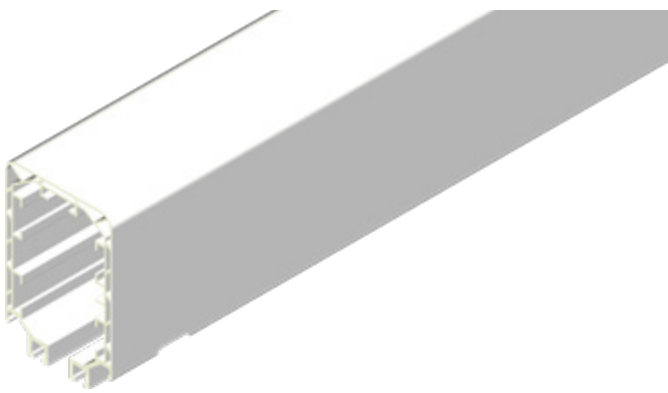
| | |
|---|--|
|  | TR85H5PW Busbar |
|  | RM40 - RM70 RM100 - RM140 Conductor |
|  | TR8501W - TR8524 Plastic and metallic joint unit |
|  | TR8502W - TR8525 Plastic and metallic hanger clamp |
|  | TR8506W End cap |
|  | TR8503W Head feed |
|  | TR8547W In-line feed |
|  | TR85H5P34 Transfer guide |
|  | TR8514 Conductor insertion trolley |
|  | TR8511 - TR8512 4 or 5 conductors trolley current collector (35 A) |
|  | TR8518 - TR8519 4 or 5 conductors trolley current collector (70 A) |
|  | TR8516 4 conductors trolley current collector for curves (35 A) |
|  | TR8532 4 conductors trolley current collector for curves (70 A) |
|  | TR8538 Spring loaded towing arm |
|  | TR8557 Towing arm with chain |

BUSBAR SYSTEM WITH 4 OR 5 CONTINUOUS CONDUCTORS (SIZES: 40 A, 70 A, 100 A, 140 A)

| | |
|--|----------------------------------|
|  | TR6007 Towing arm bracket |
|  | TR8510 Towing arm |
|  | TR8523 Double trolley support |
|  | TR8527.1 Fixed point |
|  | TR85H5P45W Section joint |
|  | TR85H5P07W Expansion joint |
|  | TR85H5P28W Inspection joint |
|  | TR8505S Gasket |
|  | TR8513 Copper decoiler |
|  | Accessories |

TR85H5PW

BUSBAR



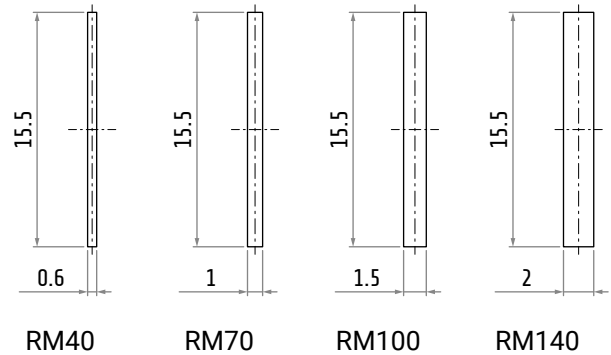
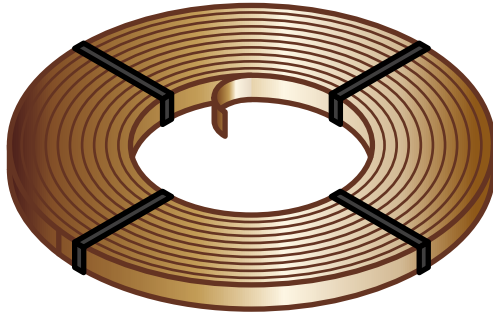
Custom curved bars available on request (with 4 conductors only and with a minimum radius of 1000 mm).

Dimensions in mm / illustrations NOT in scale

| | | | |
|-------------------------------|------------------|--------|--------------------------|
| Material | | | rigid PVC |
| Weight | | | ~1050 g/m |
| Length | | | 4 m |
| Self-extinguish | UL94 | | V0 |
| | DIN 4102 | | B2 |
| | D.M. 6/7/83 | | CI |
| Ultimate tensile strenght | ISO R527 | @ 23°C | 430 kg/cm ³ |
| Yield point | ISO R527 | @ 23°C | 460 kg/cm ³ |
| Modulus of elasticity | ISO R178 | @ 23°C | 30000 kg/cm ³ |
| Impact resistance | DIN 53453 | | unbroken |
| Dielectric strenght | ASTM 149 | | 25 kV/mm |
| Softening temperature - Vicat | ISO R306 49N | | 82°C |
| Protection class | CEI EN 60529 | | IP13 IP44 with gasket |
| Flammability resistance | UL94 | | V0 |
| | CEI EN 60695-2-1 | | 960°C |
| Ambient temperature | operating | | -30 ... +55°C |
| | storage | | -30 ... +70°C |
| Admissible trolley speed | max | | 200 m/min |

RM40 / RM70 RM100 / RM140

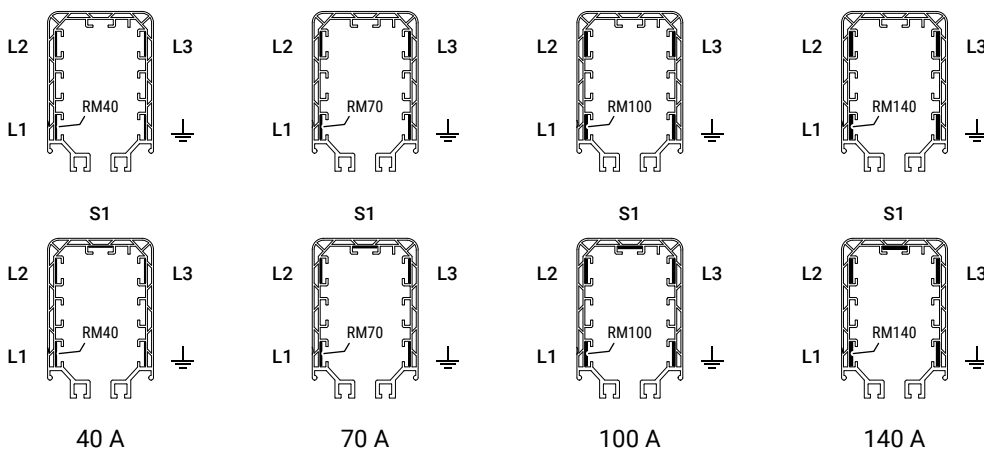
CONDUCTORS



Length on request

| | RM40 | RM70 | RM100 | RM140 |
|-------------------------|--------------------------------------|-------------------------------------|--|-----------------------------------|
| Material | ETP copper | ETP copper | ETP copper | ETP copper |
| Rated current | 23°C 40 A | 70 A | 100 A | 140 A |
| Rated operating voltage | Ue 600 V AC | 600 V AC | 600 V AC | 600 V AC |
| Frequency | 50 Hz | 50 Hz | 50 Hz | 50 Hz |
| Short circuit current | 10 kA | 10 kA | 10 kA | 10 kA |
| Class gG fuses | 40 A | 70 A | 100 A | 140 A |
| Conductors section | 9.3 mm ² 15.5 × 0.6 mm | 15.5 mm ² 15.5 × 1 mm | 23.25 mm ² 15.5 × 1.5 mm | 31 mm ² 15.5 × 2 mm |
| Resistance | 18.27 · 10 ⁻⁴ Ω/m | 10.96 · 10 ⁻⁴ Ω/m | 7.83 · 10 ⁻⁴ Ω/m | 5.48 · 10 ⁻⁴ Ω/m |
| Impedance | 18.36 · 10 ⁻⁴ Ω/m | 11.01 · 10 ⁻⁴ Ω/m | 7.87 · 10 ⁻⁴ Ω/m | 5.55 · 10 ⁻⁴ Ω/m |
| Weight | ~85 g/m | ~140 g/m | ~215 g/m | ~275 g/m |

Possible configurations

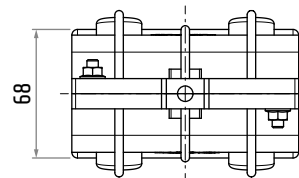
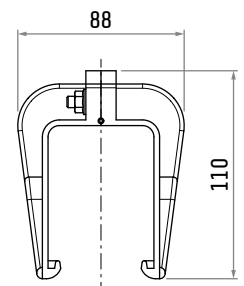
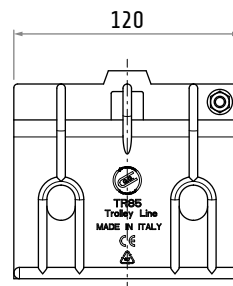
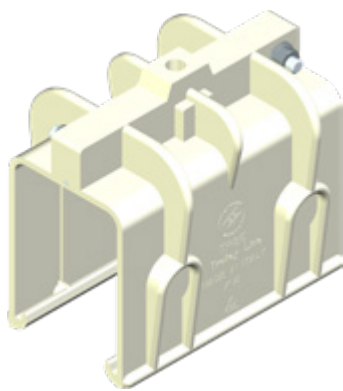


Dimensions in mm
Illustrations NOT in scale



TR8501W

PLASTIC JOINT UNIT

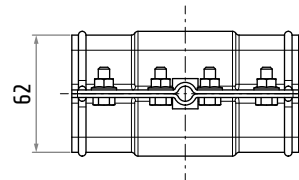
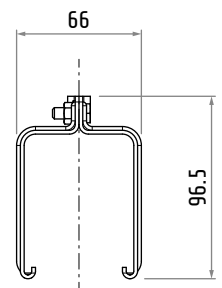
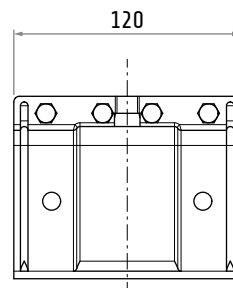
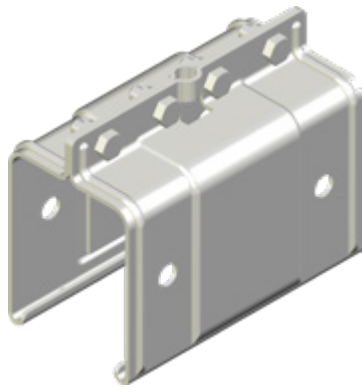


| | | |
|----------|----------|------------------|
| Material | body | nylon |
| | hardware | galvanized steel |
| Weight | | ~225 g |



TR8524

METAL JOINT UNIT

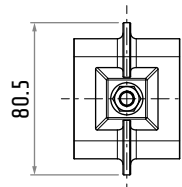
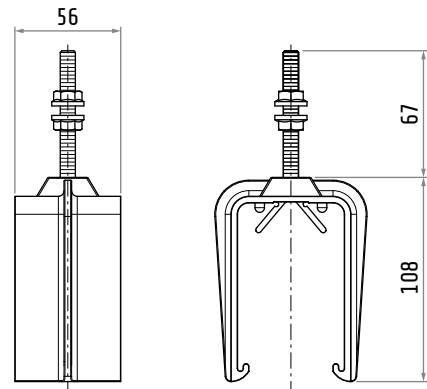


| | | |
|----------|----------|------------------|
| Material | body | galvanized steel |
| | hardware | galvanized steel |
| Weight | | ~530 g |



TR8502W

PLASTIC HANGER CLAMP

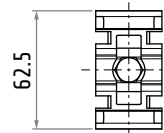
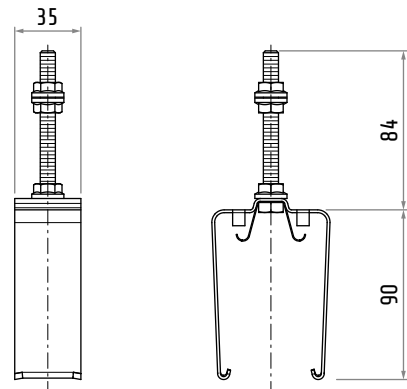
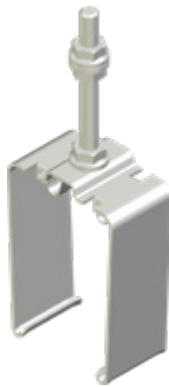


| | | |
|----------|----------|------------------|
| Material | body | nylon |
| | hardware | galvanized steel |
| Weight | | ~110 g |



TR8525

METAL HANGER CLAMP

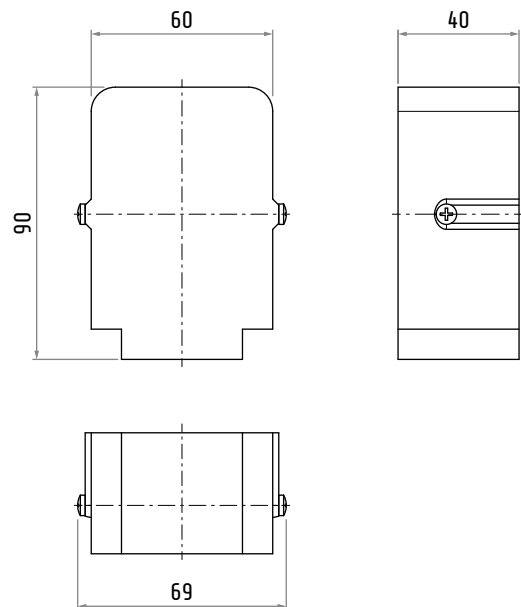
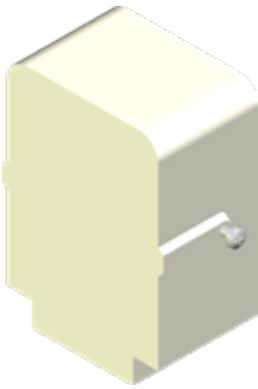


| | | |
|----------|----------|------------------|
| Material | body | galvanized steel |
| | hardware | galvanized steel |
| Weight | | ~155 g |



TR8506W

END CAP

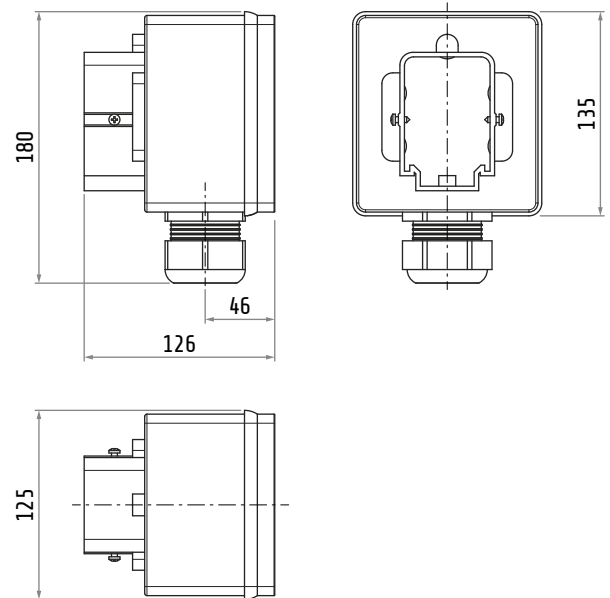
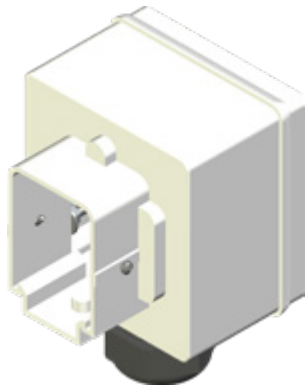


| | | |
|----------|------|-------|
| Material | body | nylon |
| Weight | | ~35 g |



TR8503W

HEAD FEED

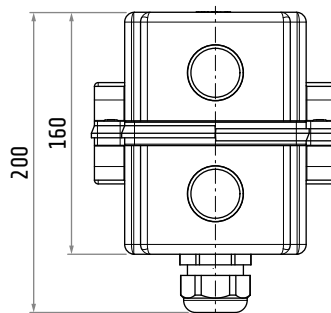
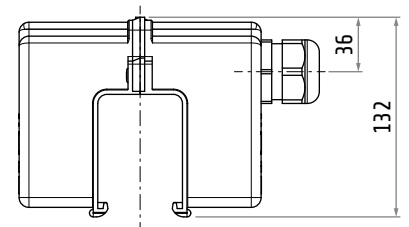
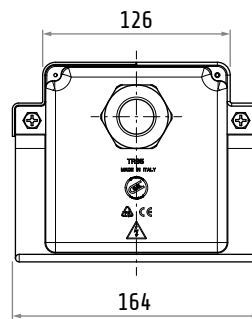
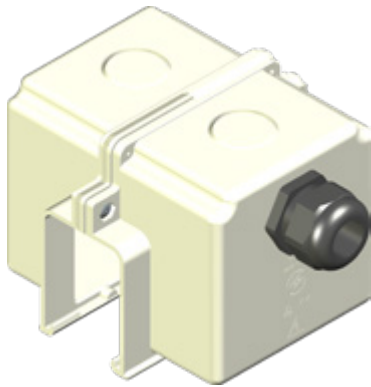


| | | |
|----------|------|--------|
| Material | body | nylon |
| Weight | | ~250 g |



TR8547W

IN-LINE FEED

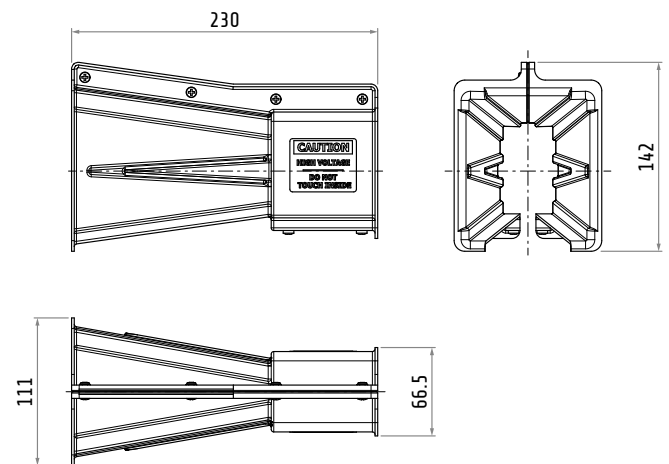


| | | |
|----------|------|--------|
| Material | body | nylon |
| Weight | | ~170 g |



TR85H5P34

TRANSFER GUIDE

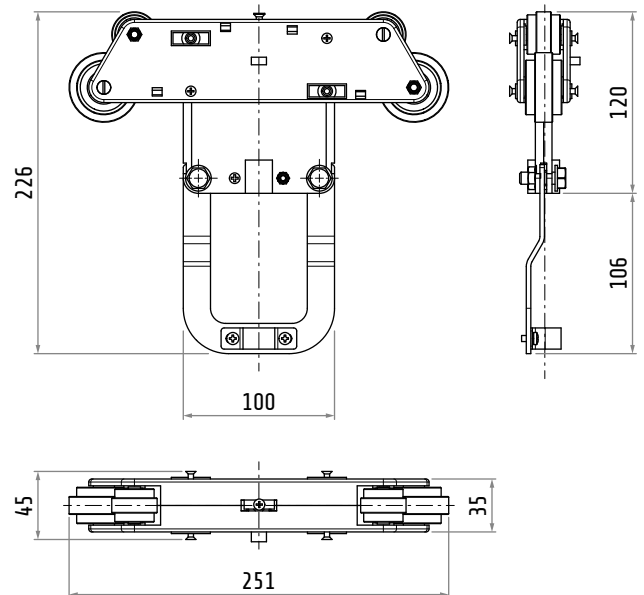


| | | |
|----------|------|--------|
| Material | body | ABS |
| Weight | | ~185 g |



TR8514

CONDUCTOR INSERTION TROLLEY



| | | |
|----------|----------|----------------------------|
| Material | body | nylon and galvanized steel |
| | hardware | galvanized steel |
| Weight | ~350 g | |



TR8511

TR8512

TROLLEY CURRENT COLLECTOR (35 A)

TR8511

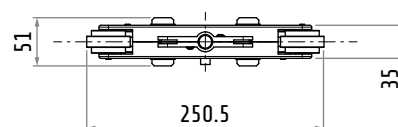
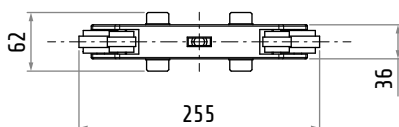
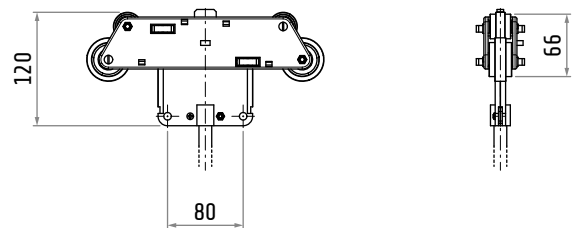
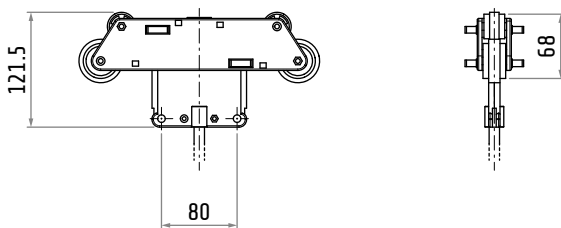


TR8512



| | | |
|------------|--------------------|-----------------------|
| Material | body conductors | nylon metal carbon |
| Weight | ~255 g | |
| Amperage | 35 A | |
| Conductors | 4 | |

| | | |
|------------|--------------------|-----------------------|
| Material | body conductors | nylon metal carbon |
| Weight | ~275 g | |
| Amperage | 35 A | |
| Conductors | 5 | |



Dimensions in mm / illustrations NOT in scale



TR8518

TR8519

TROLLEY CURRENT COLLECTOR (70 A)

TR8518

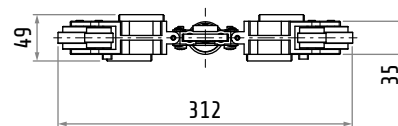
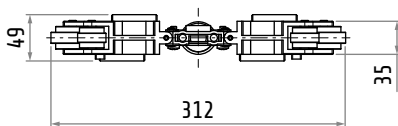
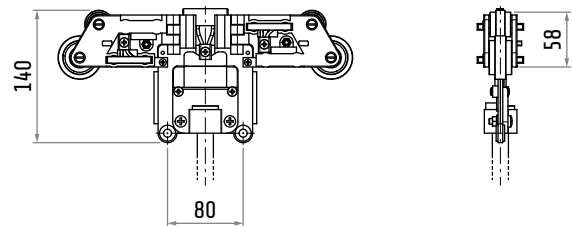
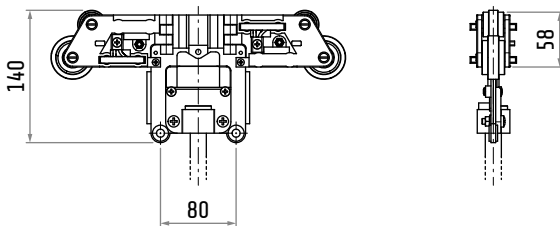


TR8519



| | | |
|------------|--------------------|-----------------------|
| Material | body conductors | nylon metal carbon |
| Weight | ~255 g | |
| Amperage | 70 A | |
| Conductors | 4 | |

| | | |
|------------|--------------------|-----------------------|
| Material | body conductors | nylon metal carbon |
| Weight | ~275 g | |
| Amperage | 70 A | |
| Conductors | 5 | |



Dimensions in mm / illustrations NOT in scale



TR8516

TR8532

TROLLEY CURRENT COLLECTOR FOR CURVES

TR8516

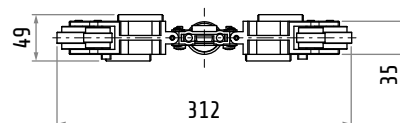
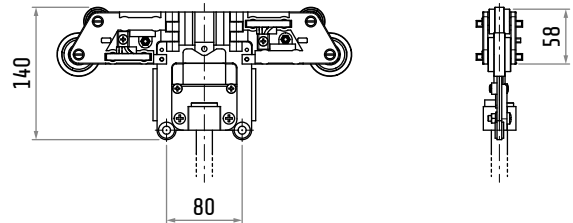
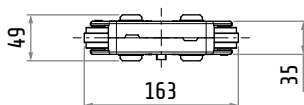
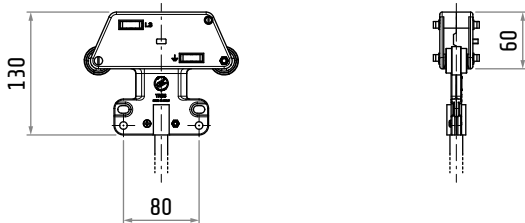


TR8532



| | | |
|------------|------------|--------------|
| Material | body | nylon |
| | conductors | metal carbon |
| Weight | ~255 g | |
| Amperage | 35 A | |
| Conductors | 4 | |

| | | |
|------------|------------|--------------|
| Material | body | nylon |
| | conductors | metal carbon |
| Weight | ~275 g | |
| Amperage | 70 A | |
| Conductors | 5 | |

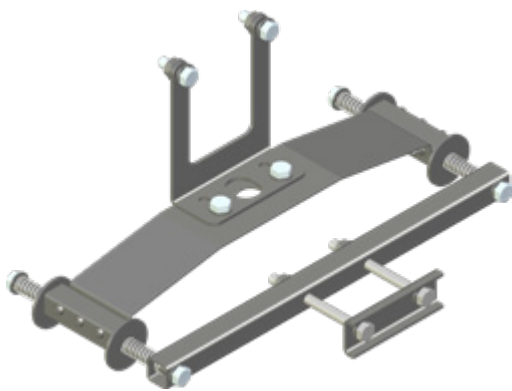


Dimensions in mm / illustrations NOT in scale

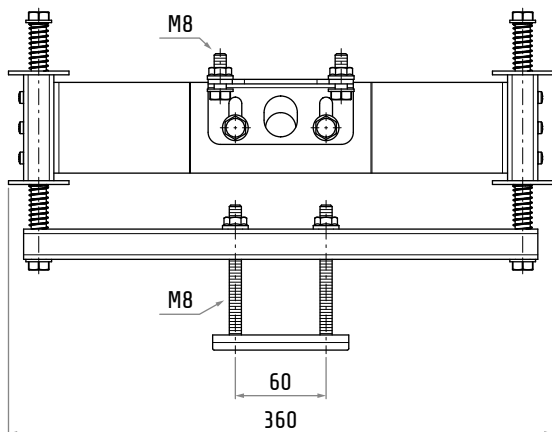
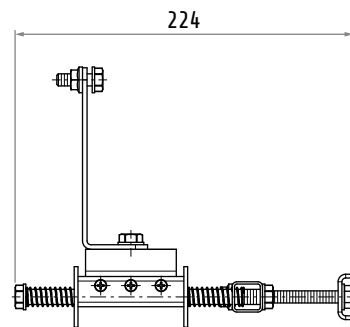
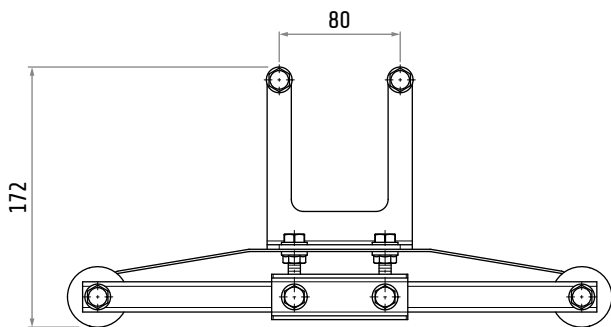


TR8538

SPRING LOADED TOWING ARM



| | | |
|----------|----------|------------------|
| Material | body | galvanized steel |
| | hardware | galvanized steel |
| Weight | | ~1.27 kg |

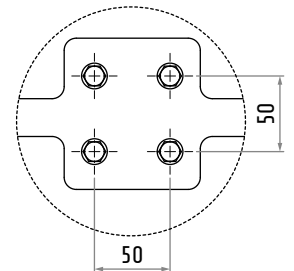
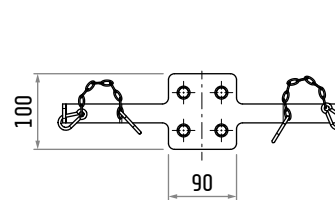
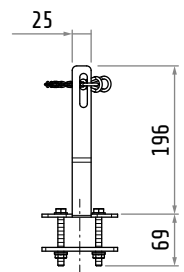
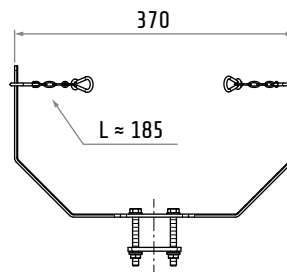
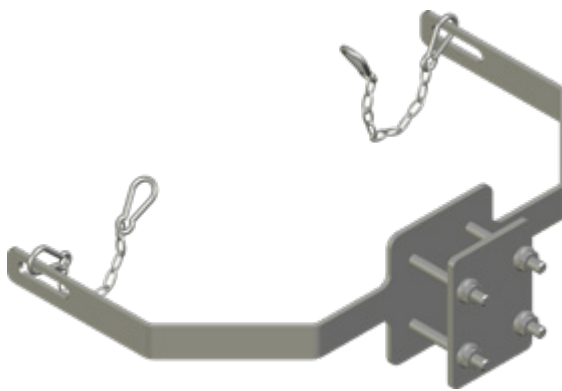


Dimensions in mm / illustrations NOT in scale



TR8557

TOWING ARM WITH CHAIN

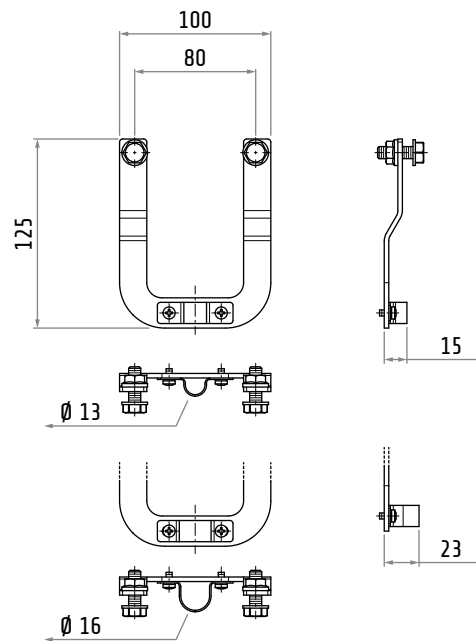
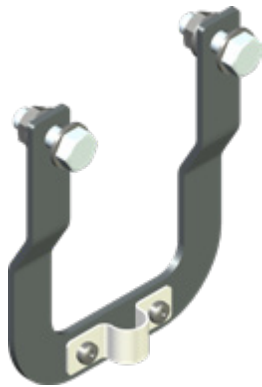


| | | |
|----------|----------|------------------|
| Material | body | galvanized steel |
| | hardware | galvanized steel |
| Weight | | ~1.4 kg |



TR6007

TOWING ARM BRACKET

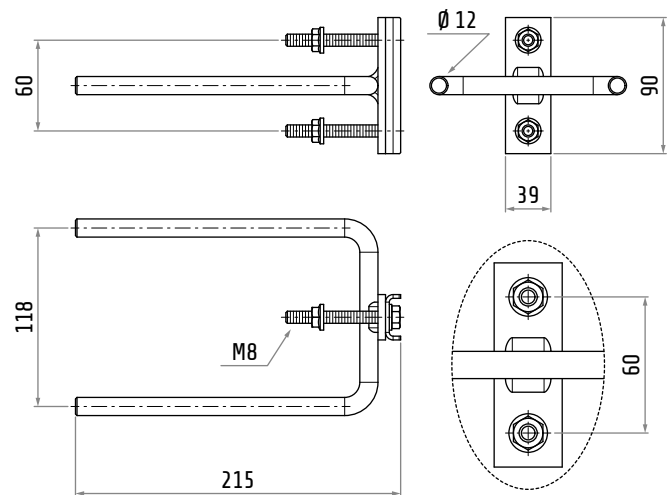
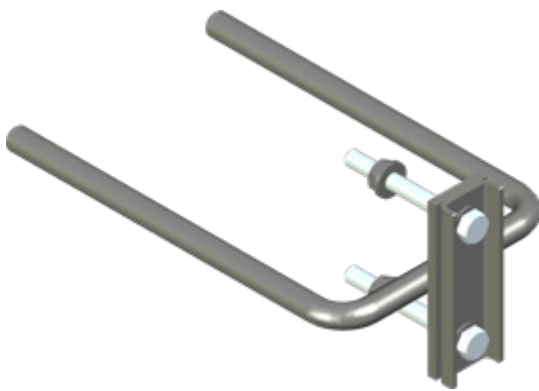


| | | |
|----------|----------|------------------|
| Material | body | galvanized steel |
| | hardware | galvanized steel |
| Weight | | ~185 g |



TR8510

TOWING ARM

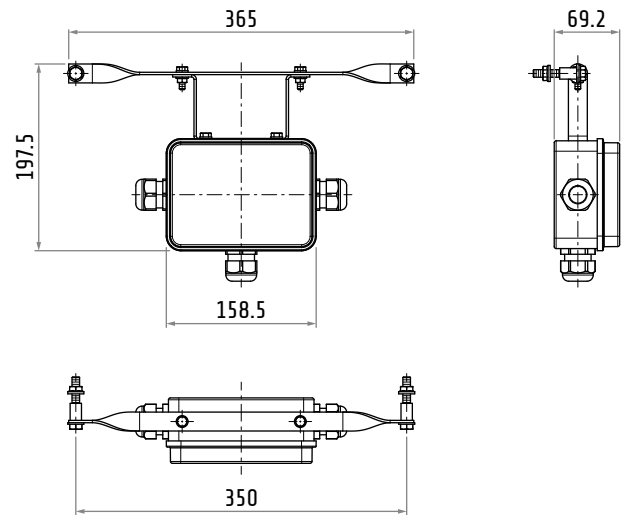
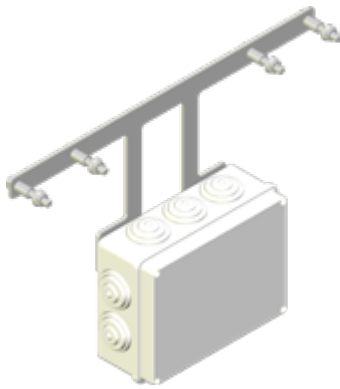


| | | |
|----------|----------|------------------|
| Material | body | galvanized steel |
| | hardware | galvanized steel |
| Weight | | ~725 g |



TR8523

DOUBLE TROLLEY SUPPORT

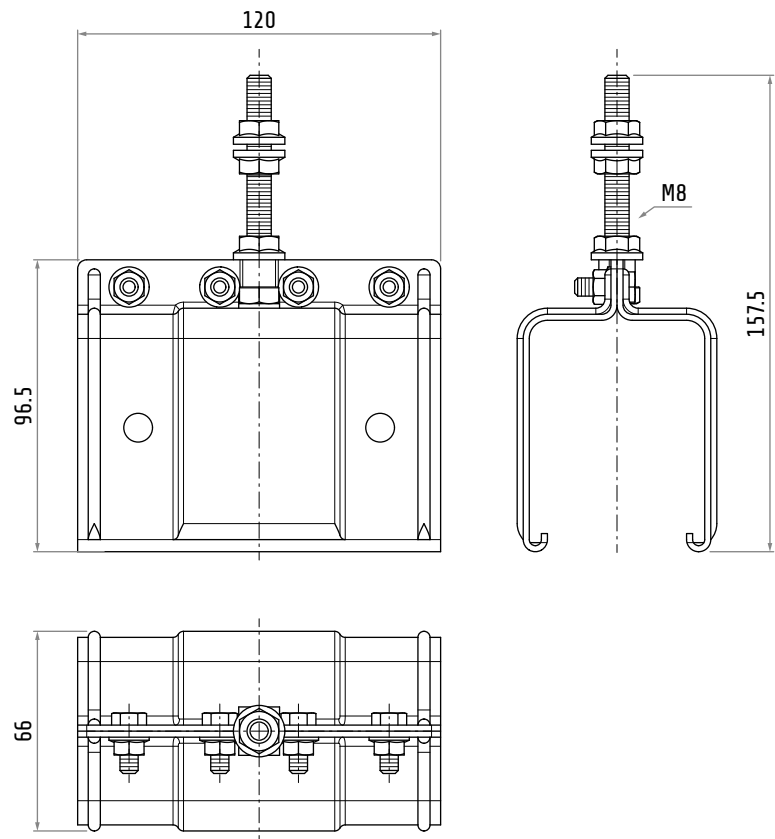
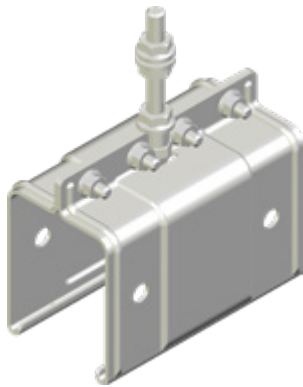


| | | |
|----------|-------------------------|---|
| Material | box body hardware | plastic galvanized steel galvanized steel |
| Weight | | ~690 g |



TR8527.1

FIXED POINT

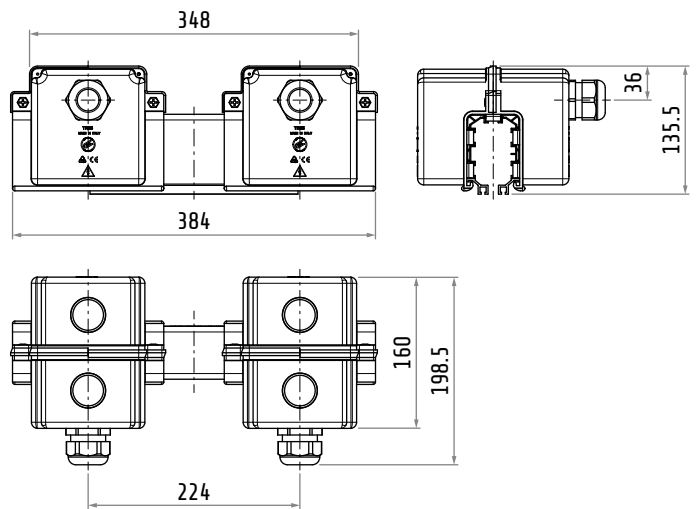
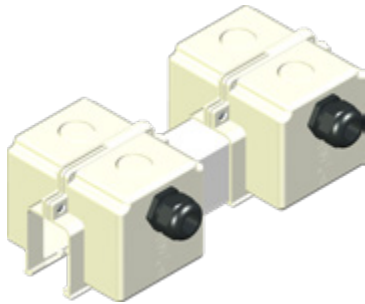


| | | |
|----------|----------|------------------|
| Material | body | nylon |
| | hardware | galvanized steel |
| Weight | | ~160 g |



TR85H5P45W

SECTION JOINT

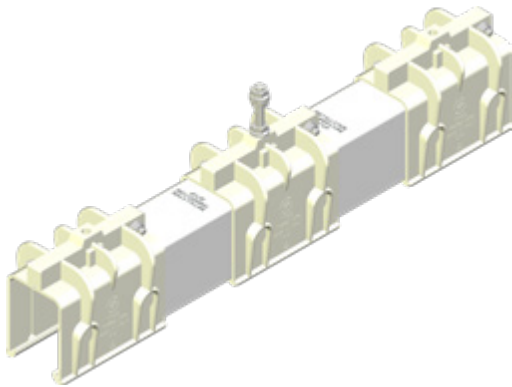


| | | |
|----------|------|---------|
| Material | body | nylon |
| Weight | | ~1300 g |

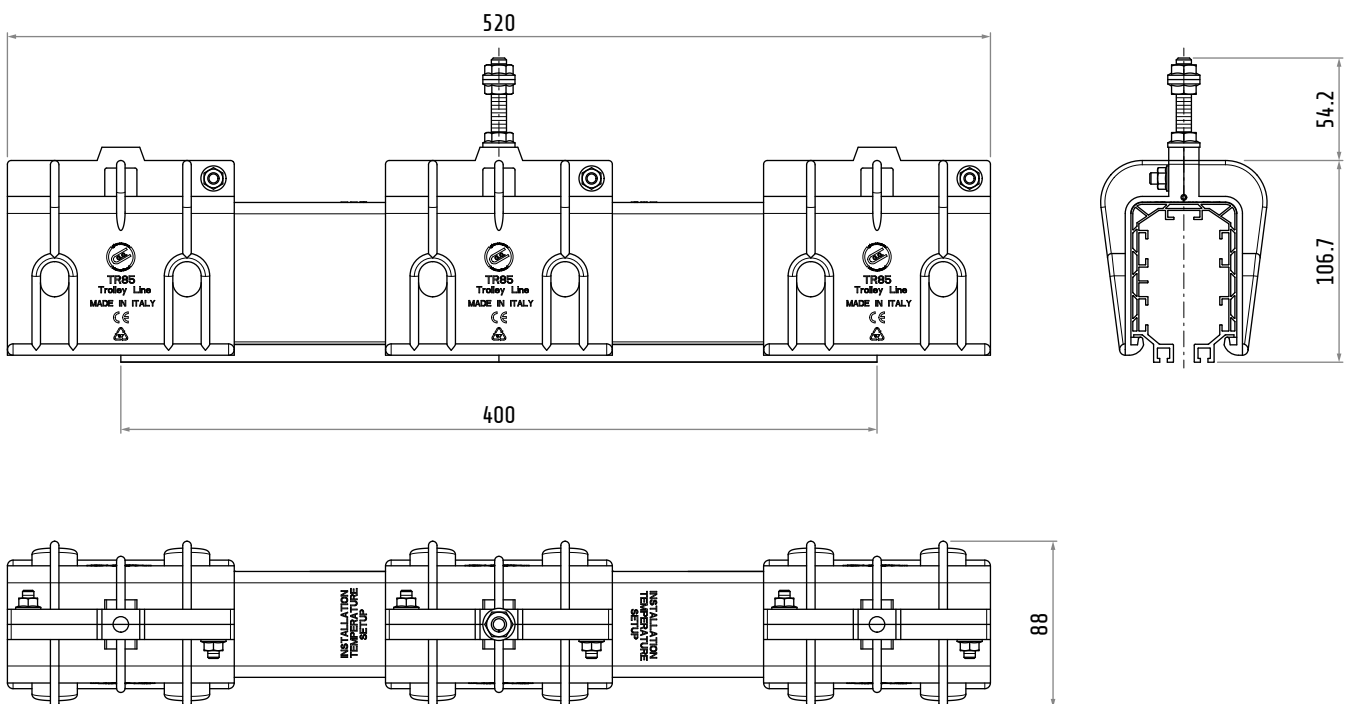


TR85H5P07W

EXPANSION JOINT



| | | |
|----------|----------------|--------------|
| Material | body busbar | nylon PVC |
| Weight | ~1200 g | |

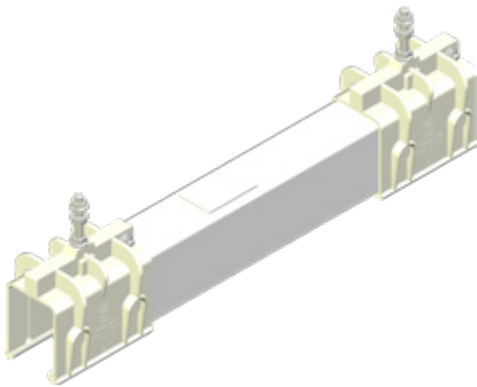


Dimensions in mm / illustrations NOT in scale

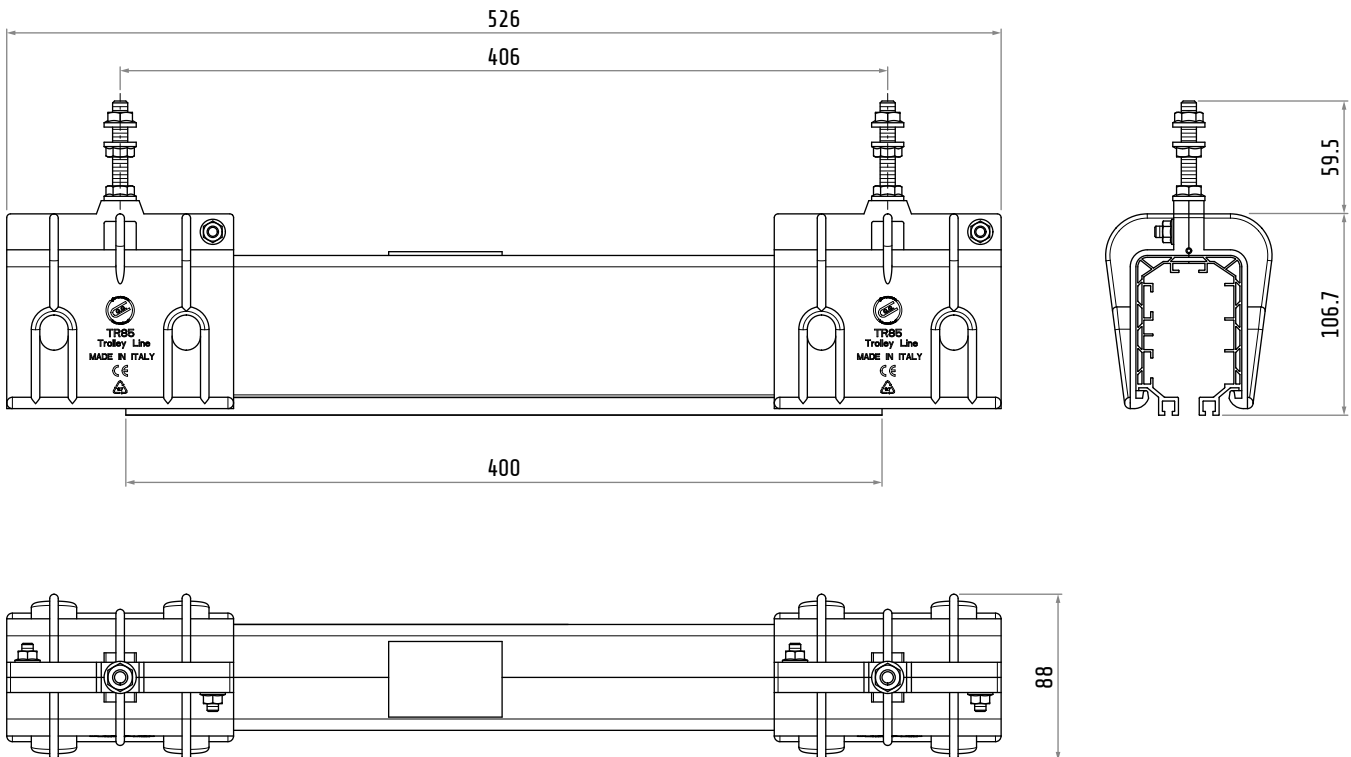


TR85H5P28W

INSPECTION JOINT



| | | |
|----------|----------------|--------------|
| Material | body busbar | nylon PVC |
| Weight | | ~955 g |

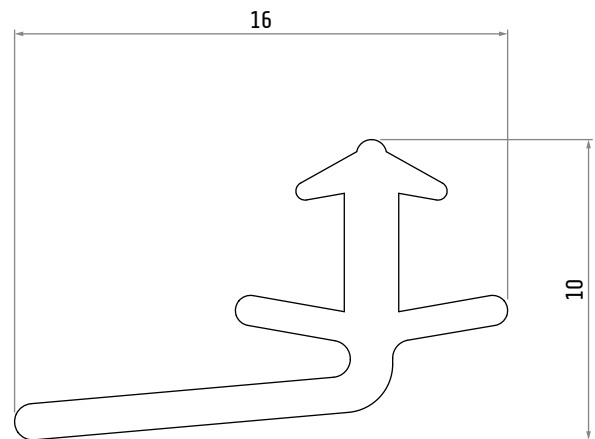
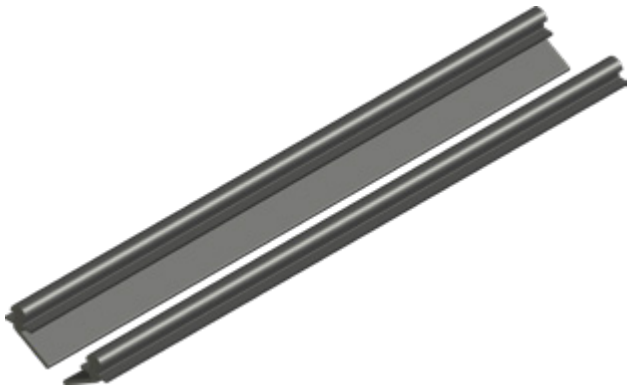


Dimensions in mm / illustrations NOT in scale



TR8505S

GASKET

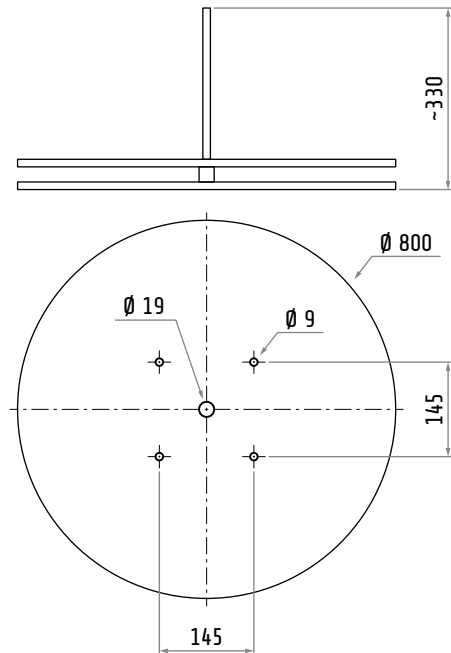
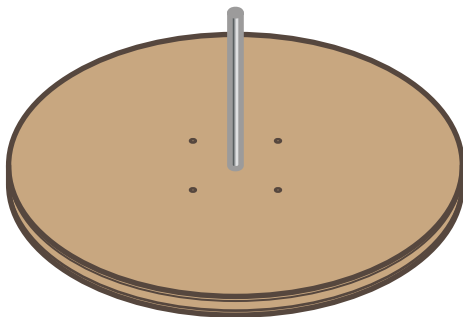


| | |
|----------|---------|
| Material | PVC |
| Weight | ~40 g/m |



TR8513

COPPER DECOILER

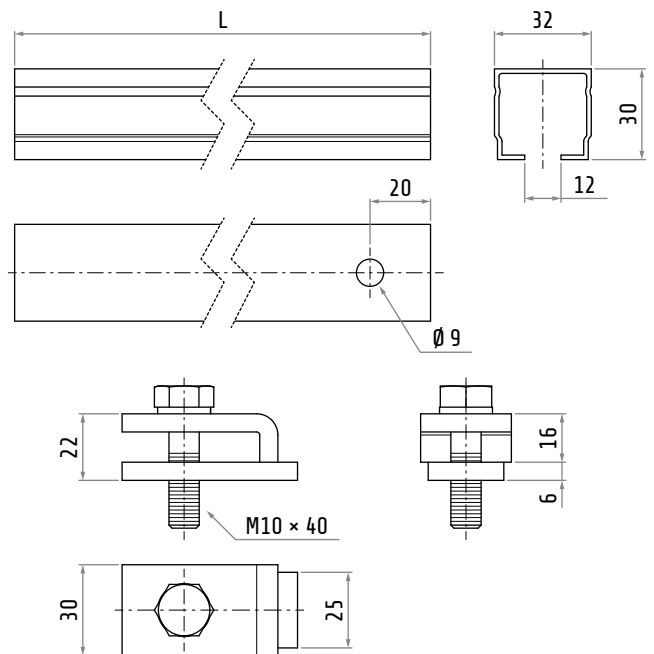
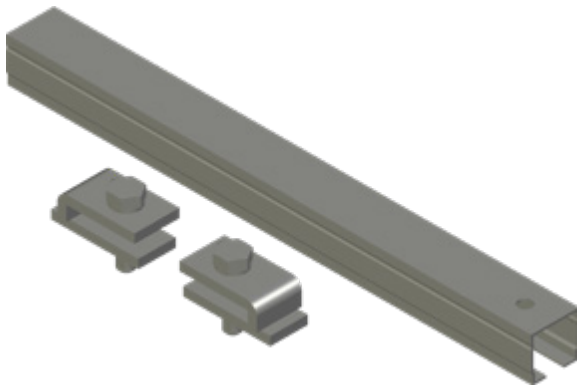


| | | |
|----------|----------|------------------|
| Material | body | wood |
| | hardware | galvanized steel |
| Weight | | ~6.8 kg |



TR8550 TR8551 TR8552

SUPPORT BRACKET



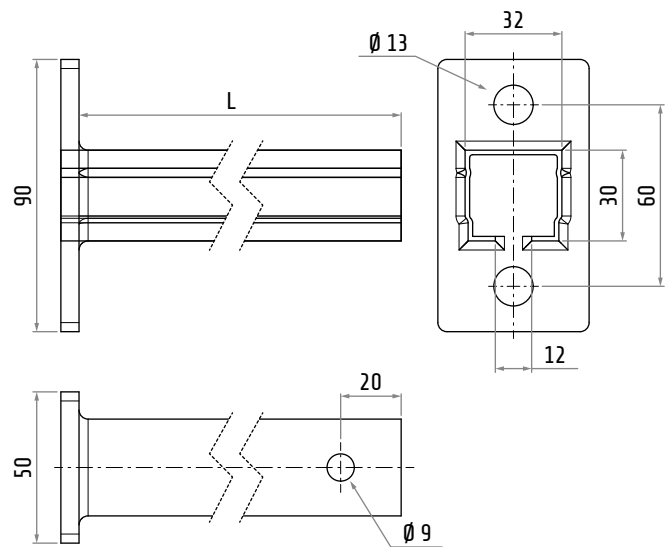
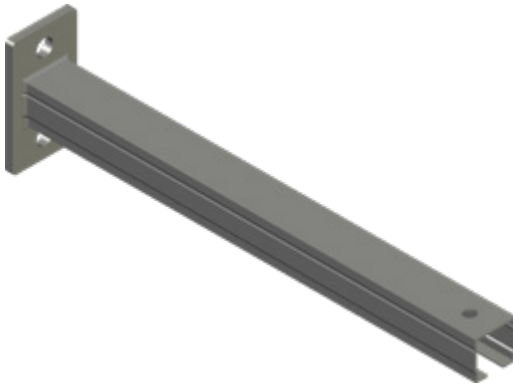
| | | |
|----------|------------------|---------|
| Material | galvanized steel | |
| | L | Weight |
| TR8550 | 350 mm | ~780 g |
| TR8551 | 500 mm | ~960 g |
| TR8552 | 700 mm | ~1200 g |



TR8555

TR8556

WALL FIXING SUPPORT BRACKET



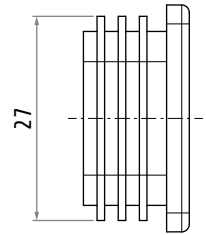
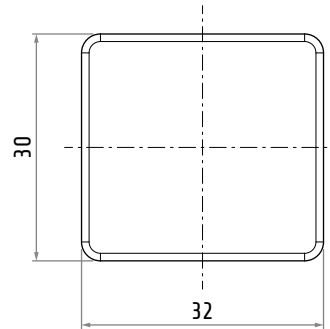
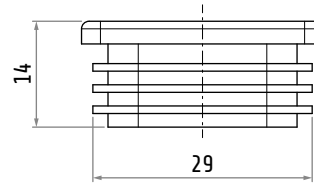
| | |
|----------|------------------|
| Material | galvanized steel |
|----------|------------------|

| | L | Weight |
|--------|--------|--------|
| TR8555 | 350 mm | ~640 g |
| TR8556 | 500 mm | ~820 g |



30607015

END CAP

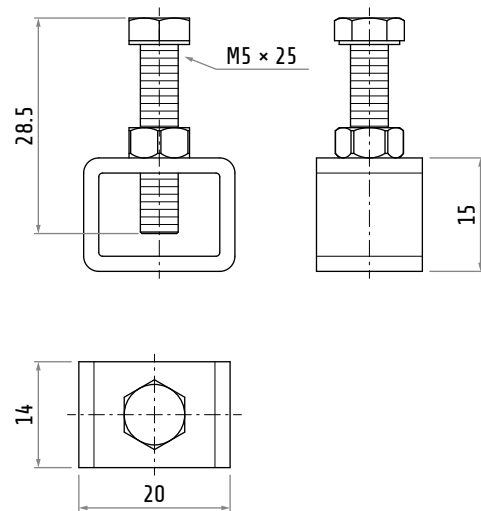


| | |
|----------|-------|
| Material | nylon |
| Weight | ~6 g |



TR8546

CONDUCTORS CONNECTION CLAMP

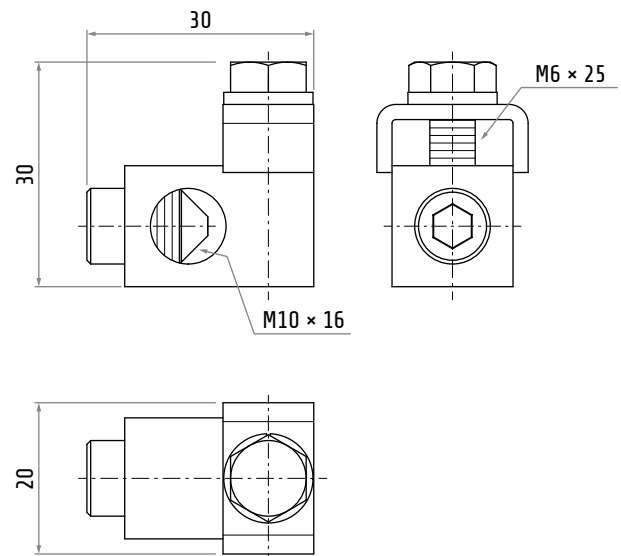
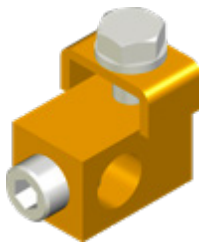


| | |
|----------|------------------|
| Material | galvanized steel |
| Weight | ~18 g |



TR8537

CONDUCTORS CONNECTION CLAMP FOR INLINE FEEDING BOX



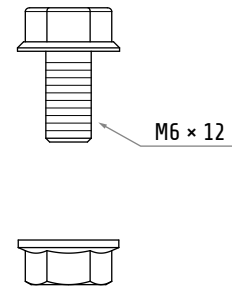
| | | |
|----------|------------------|---------------------------|
| Material | body hardware | brass galvanized steel |
| Weight | | ~60 g |



11606075

11612013

CONDUCTORS CONNECTION KIT

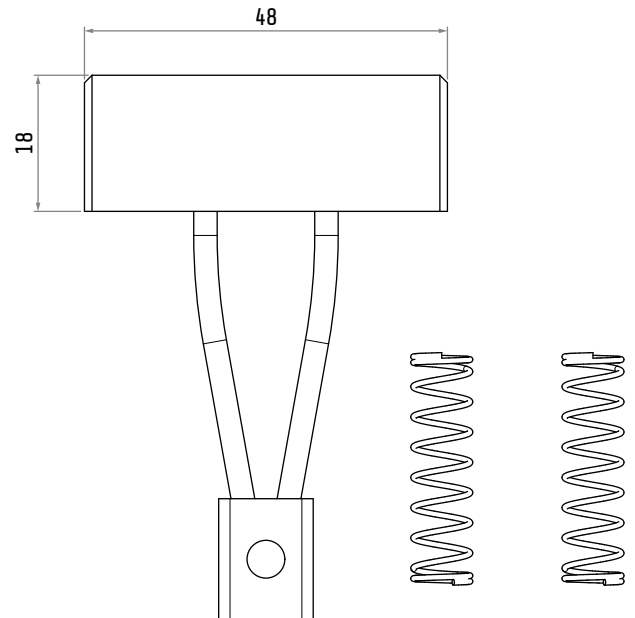
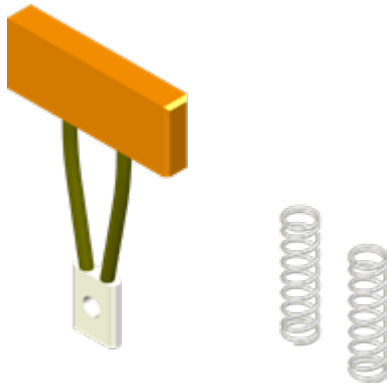


| | | |
|----------|----------|------------------|
| Material | | galvanized steel |
| Weight | 11606075 | ~6 g |
| | 11612013 | ~3.5 g |



TR8520K

BRUSH KIT REPLACEMENT FOR TR8518, TR8519 AND TR8532



| | | |
|----------|----------------|----------------------------------|
| Material | contact spring | metal carbon galvanized steel |
| Weight | | ~60 g |