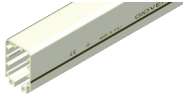
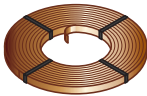





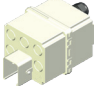






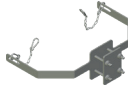




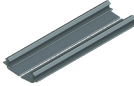
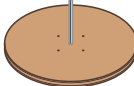
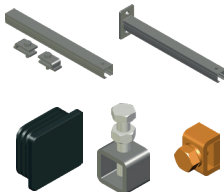


Energy transmission system to be fitted with 4 or 5 conductors without joints.  
Operating current: 40 or 60 A, depending on the conductors to be fitted.  
Marking: CE, EAC.

# TR60 CONTINUOUS

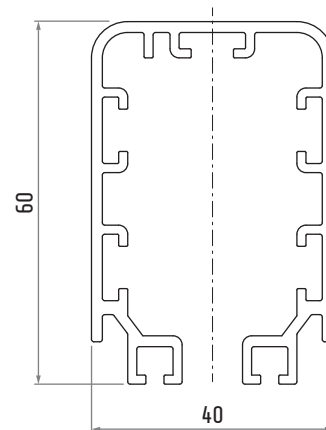
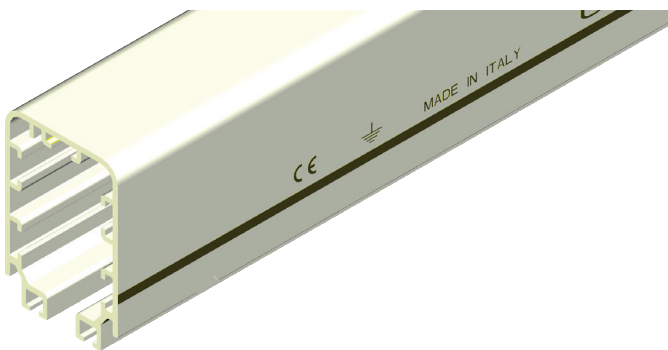
## BUSBAR SYSTEM WITH 4 OR 5 CONTINUOUS CONDUCTORS (SIZES: 40 A, 60 A)

	TR6000W Busbar
	CS40 - CS60 Conductor
	TR6001W Joint unit
	TR6002W Plastic hanger clamp
	TR6020 Metallic hanger clamp
	TR6006W End cap
	TR6003W Head feed
	TR6008W In-line feed
	TR6034 Transfer guide
	TR6011 Conductor insertion trolley
	TR6004 - TR6005 4 or 5 conductors trolley current collector
	TR8538 Spring loaded towing arm

	TR8557 Towing arm with chain
	TR6007 Towing arm bracket
	TR8510 Towing arm
	TR6013 Double trolley support
	TR6014W Fixed point
	TR6012 Gasket
	TR8513 Copper decoiler
	Accessories

# TR6000W

## BUSBAR



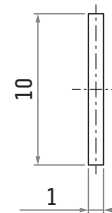
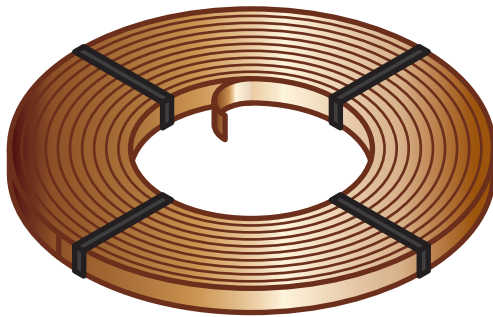
Custom curved bars available on request (with 4 conductors only and with a minimum radius of 1000 mm).

Dimensions in mm / illustrations NOT in scale

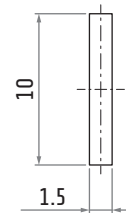
Material		rigid PVC
Weight		~690 g/m
Length		4 m
Self-extinguish	UL94 DIN 4102 D.M. 6/7/83	V0 B2 CI
Ultimate tensile strenght	ISO R527 @ 23°C	430 kg/cm <sup>3</sup>
Yield point	ISO R527 @ 23°C	460 kg/cm <sup>3</sup>
Modulus of elasticity	ISO R178 @ 23°C	30000 kg/cm <sup>3</sup>
Impact resistance	DIN 53453	unbroken
Dielectric strenght	ASTM 149	25 kV/mm
Softening temperature - Vicat	ISO R306 49N	82°C
Protection class	CEI EN 60529	IP13 IP44 with gasket
Flammability resistance	UL94 CEI EN 60695-2-1	V0 960°C
Ambient temperature	operating storage	-30 ... +55°C -30 ... +70°C
Admissible trolley speed	max	200 m/min

# CS40 / CS60

## CONDUCTORS



CS40

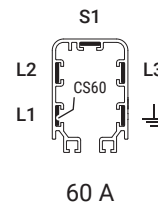
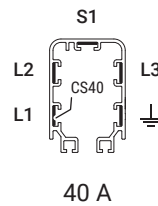
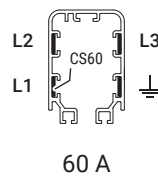
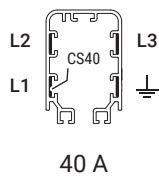


CS60

Length on request

		CS40	CS60
Material		ETP copper	ETP copper
Rated current	23°C	40 A	60 A
Rated operating voltage	U <sub>e</sub>	600 V AC	600 V AC
Frequency		50 Hz	50 Hz
Short circuit current		10 kA	10 kA
Class gG fuses		40 A	60 A
Conductors section		10 mm <sup>2</sup> 10 × 1 mm	15 mm <sup>2</sup> 10 × 1.5 mm
Resistance		17·10 <sup>-4</sup> Ω/m	11.33·10 <sup>-4</sup> Ω/m
Impedence		17.09·10 <sup>-4</sup> Ω/m	11.38·10 <sup>-4</sup> Ω/m
Weight of busbar complete of conductors		~90 g/m	~135 g/m

### Possible configurations

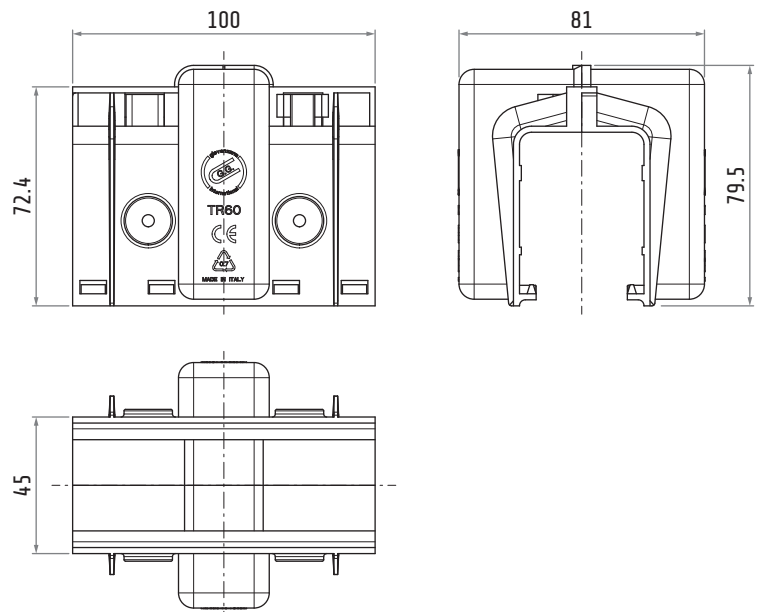
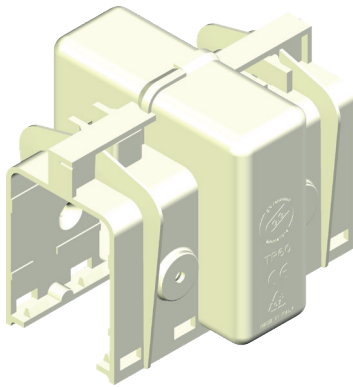


Dimensions in mm  
Illustrations NOT in scale



# TR6001W

## JOINT UNIT

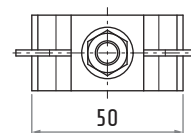
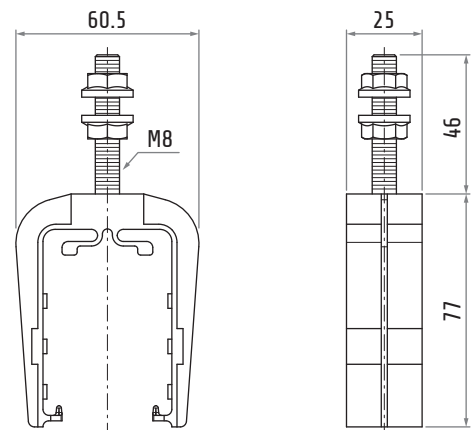
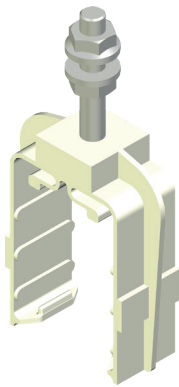


Material	body	nylon
Weight		~90 g



# TR6002W

## PLASTIC HANGER CLAMP

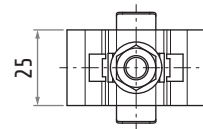
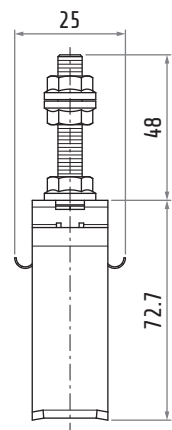
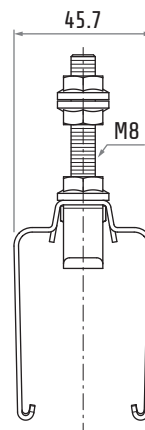
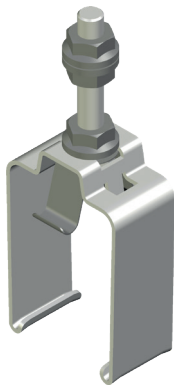


Material	body	nylon
	hardware	galvanized steel
Weight		~70 g



# TR6020

## METALLIC HANGER CLAMP

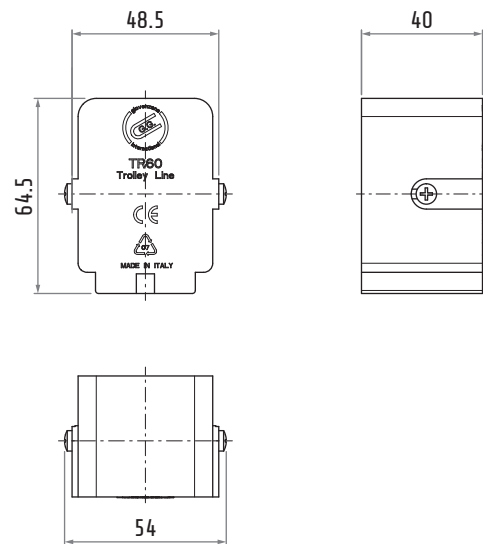
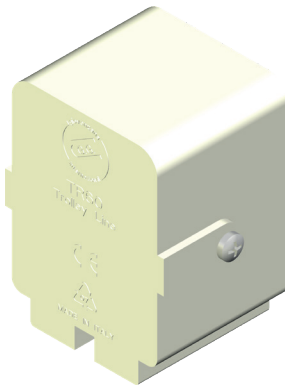


Material	body	galvanized steel
	hardware	galvanized steel
Weight		~100 g



# TR6006W

## END CAP

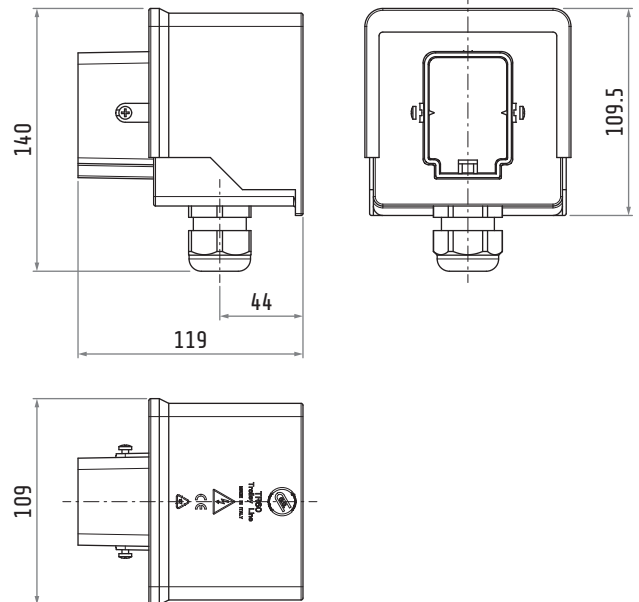
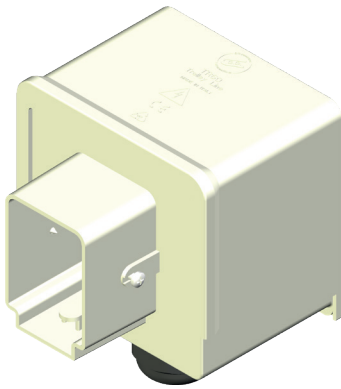


Material	body	nylon
Weight		~35 g



# TR6003W

## HEAD FEED



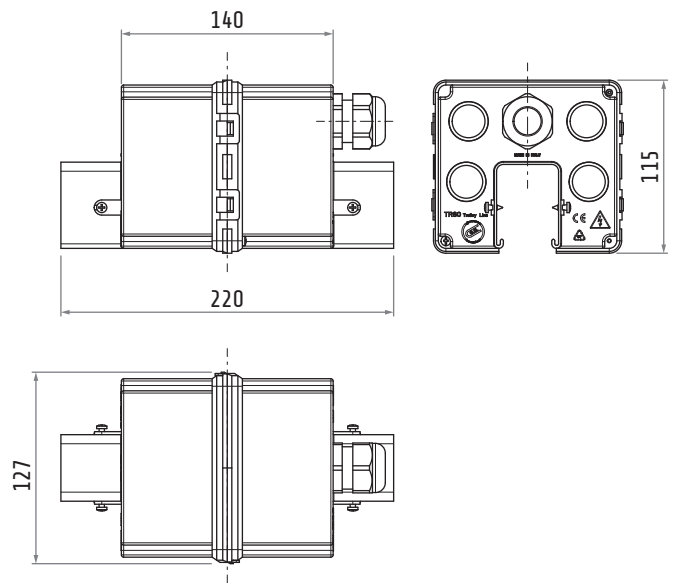
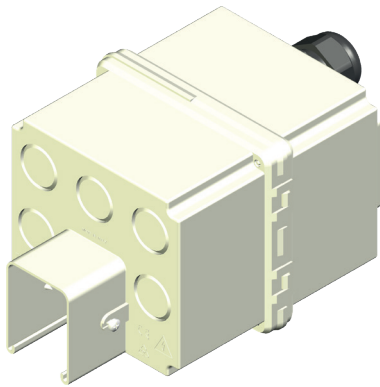
Material	body	nylon
Weight		~250 g





# TR6008W

## IN-LINE FEED

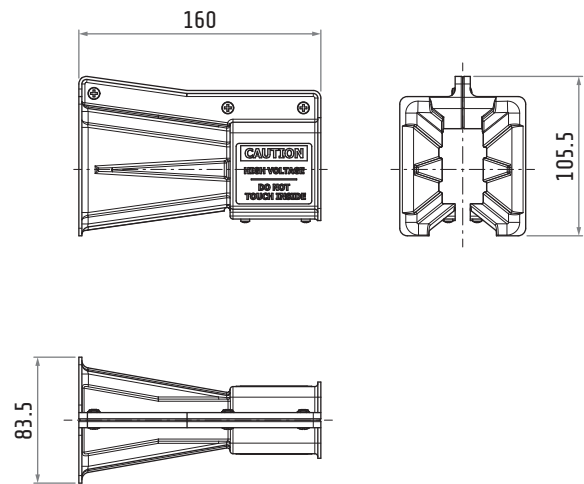


Material	body	nylon
Weight		~170 g



# TR6034

## TRANSFER GUIDE

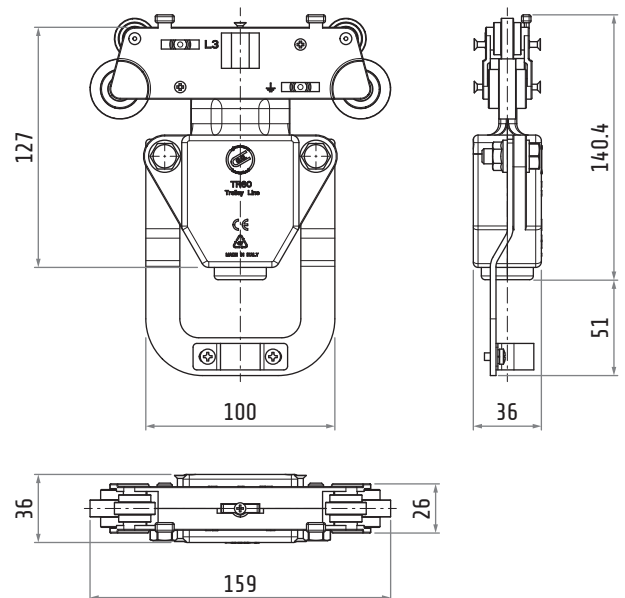
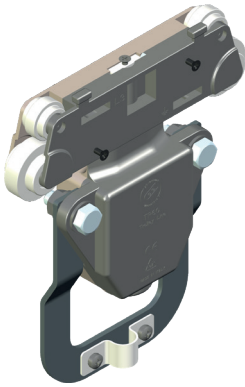


Material	body	ABS
Weight		~125 g



# TR6011

## CONDUCTOR INSERTION TROLLEY



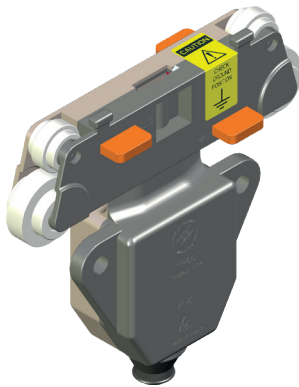
Material	body	nylon and galvanized steel
	hardware	galvanized steel
Weight	~350 g	



# TR6004 TR6005

## TROLLEY CURRENT COLLECTOR

TR6004

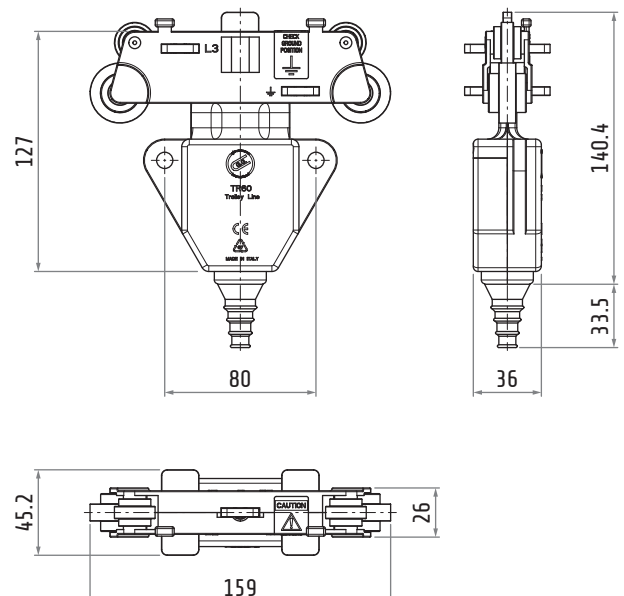
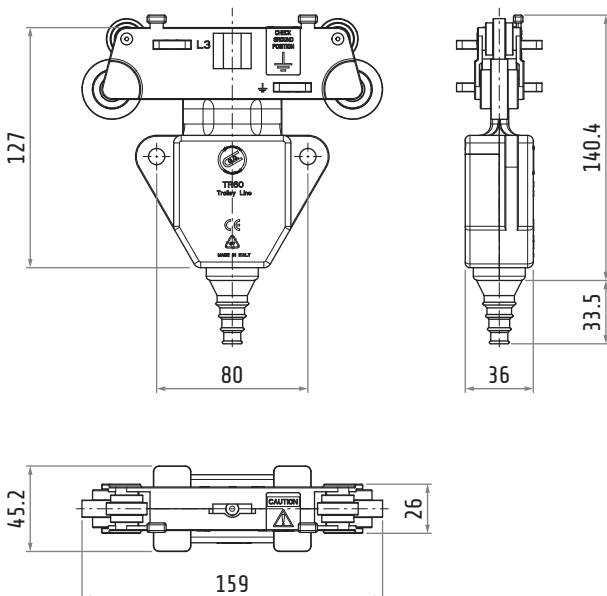


TR6005



Material	body conductors	nylon metal carbon
Weight		~255 g
Amperage		25 A
Conductors		4

Material	body conductors	nylon metal carbon
Weight		~270 g
Amperage		25 A
Conductors		5

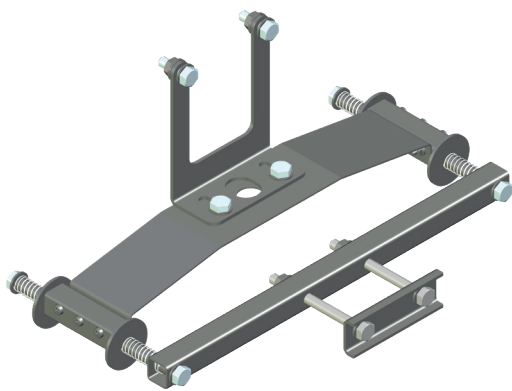


Dimensions in mm / illustrations NOT in scale

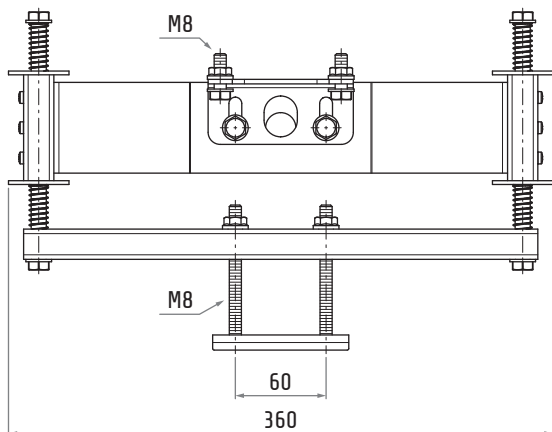
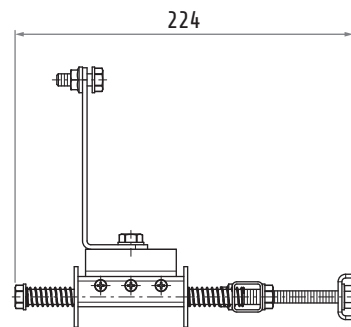
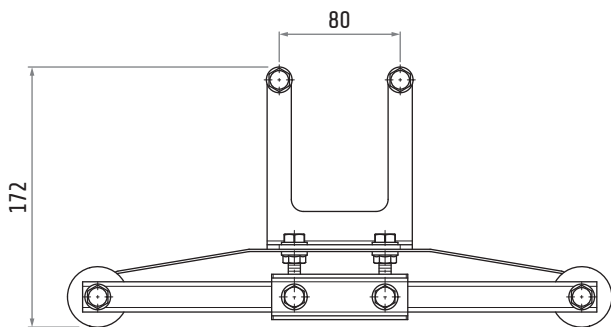


# TR8538

## SPRING LOADED TOWING ARM



Material	body	galvanized steel
	hardware	galvanized steel
Weight		~1.27 kg

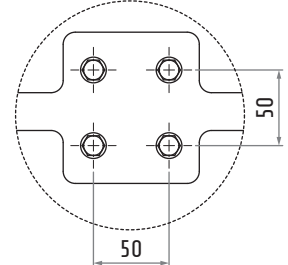
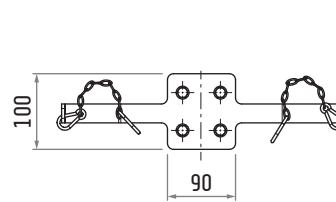
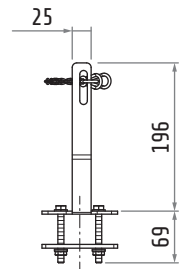
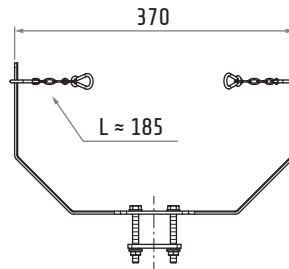
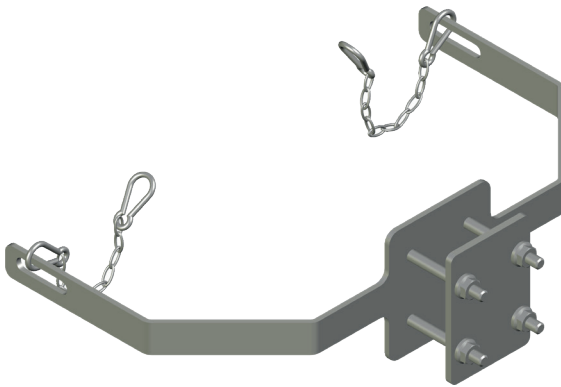


Dimensions in mm / illustrations NOT in scale



# TR8557

## TOWING ARM WITH CHAIN

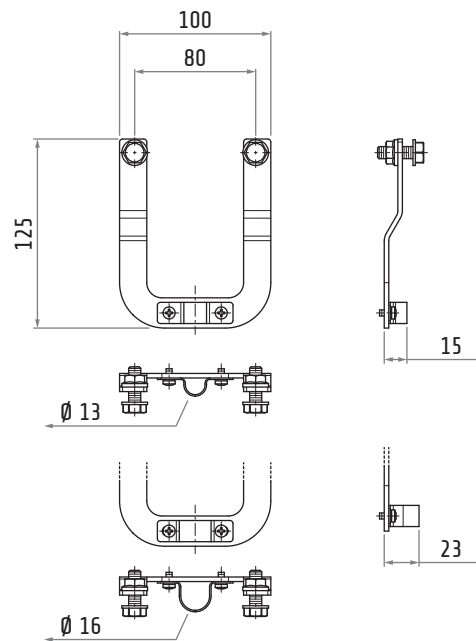
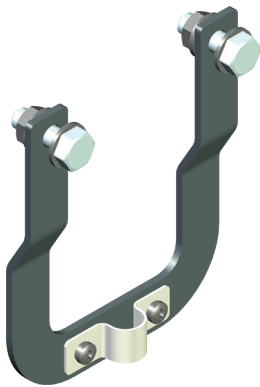


Material	body	galvanized steel
	hardware	galvanized steel
Weight		~1.4 kg



# TR6007

## TOWING ARM BRACKET

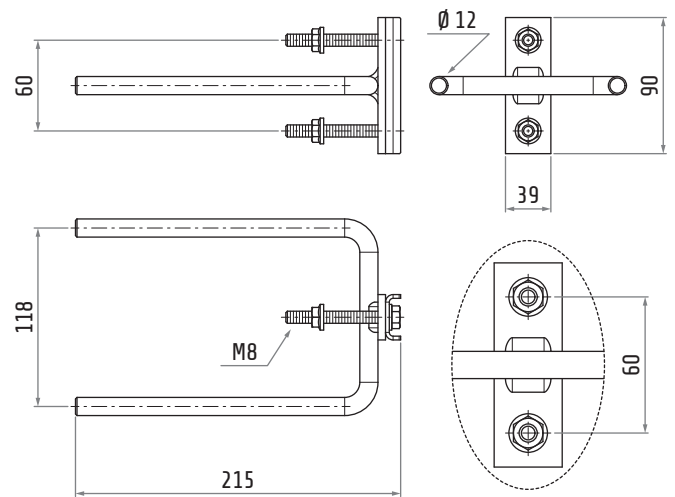
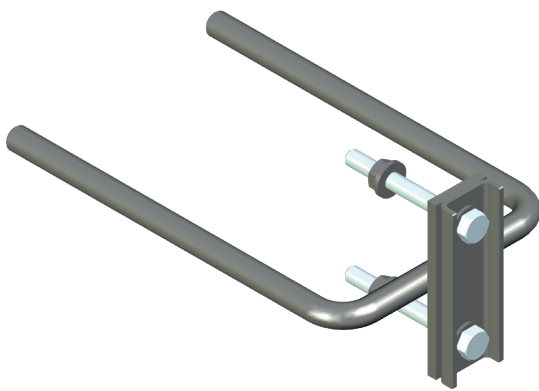


Material	body	galvanized steel
	hardware	galvanized steel
Weight		~185 g



# TR8510

## TOWING ARM



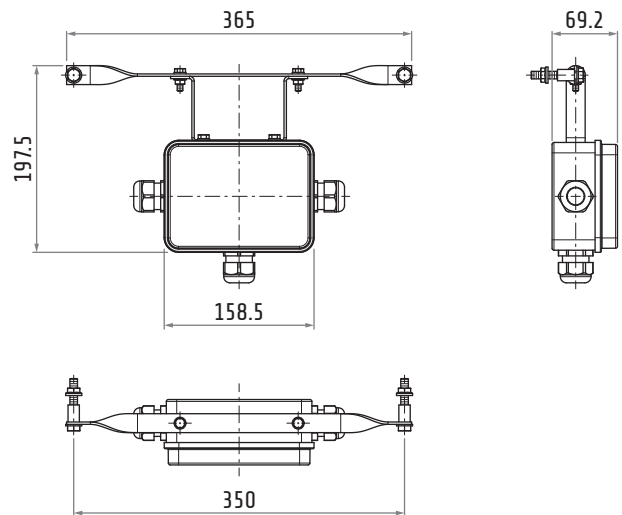
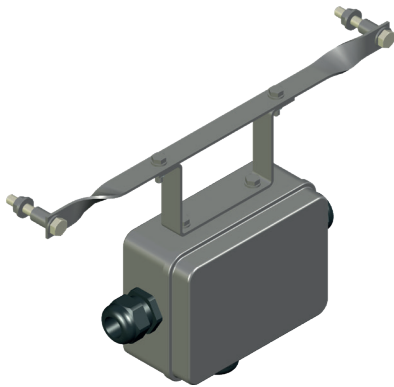
Material	body	galvanized steel
	hardware	galvanized steel
Weight		~725 g





# TR6013

## DOUBLE TROLLEY SUPPORT

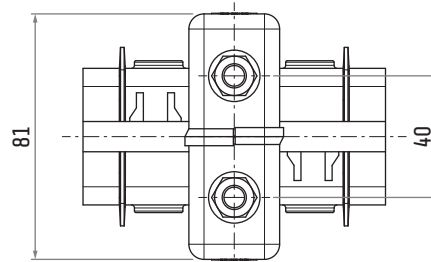
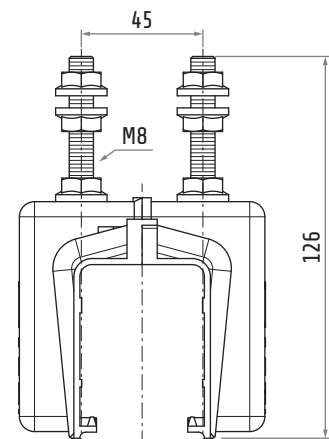
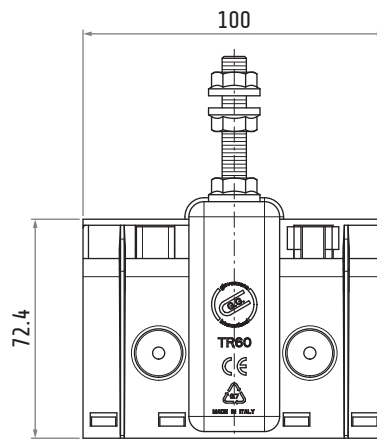
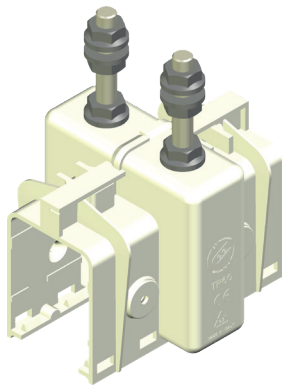


Material	box body hardware	plastic galvanized steel galvanized steel
Weight		~690 g



# TR6014W

## FIXED POINT

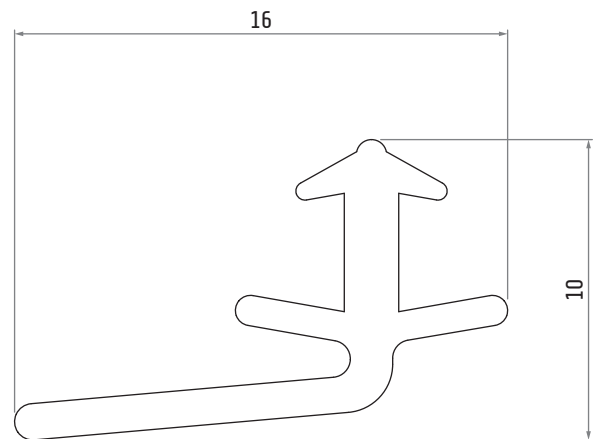
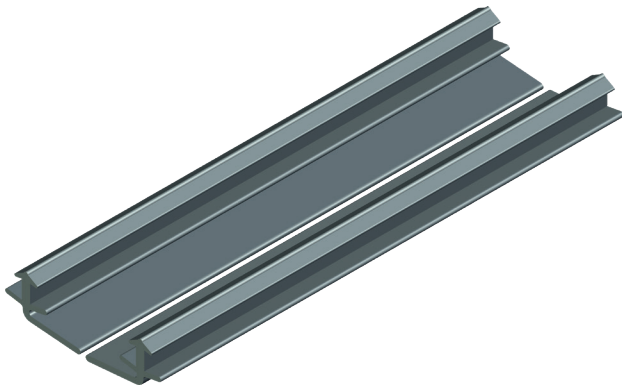


Material	body	nylon
	hardware	galvanized steel
Weight		~160 g



# TR6012

## GASKET

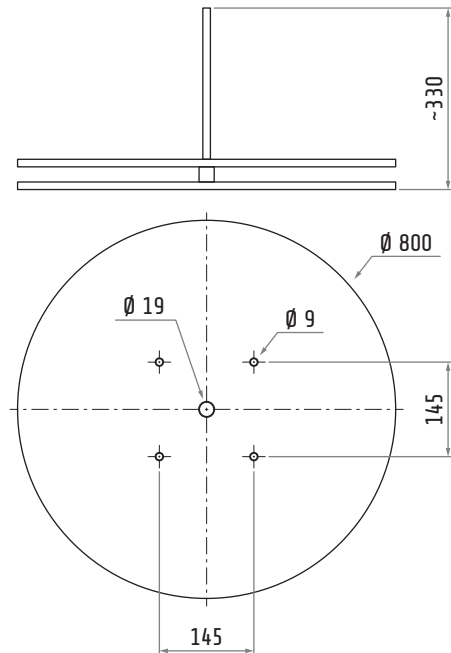
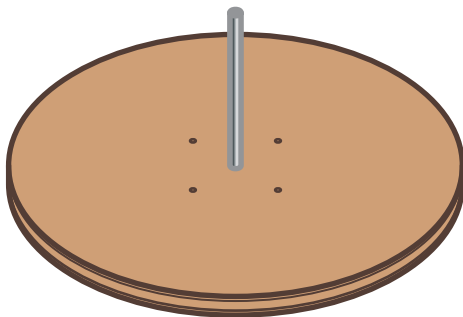


Material	PVC
Weight	~40 g/m



# TR8513

## COPPER DECOILER

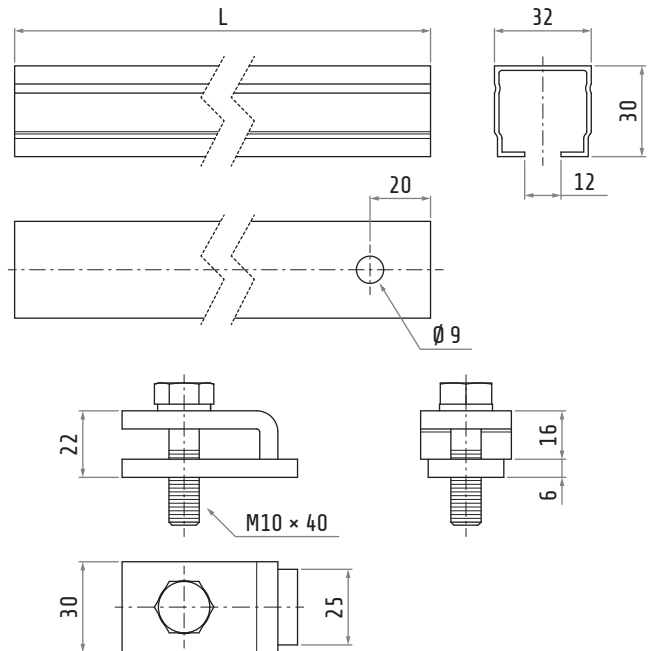
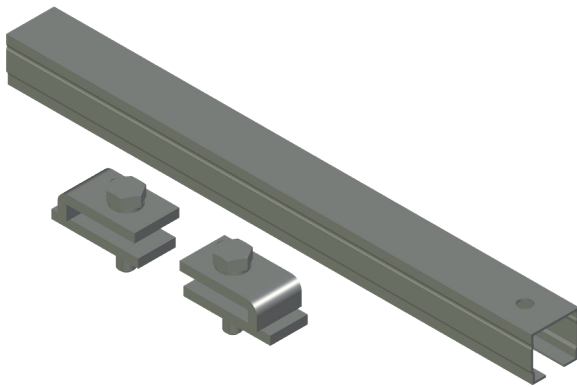


Material	body	wood
	hardware	galvanized steel
Weight		~6.8 kg



# TR8550 TR8551 TR8552

## SUPPORT BRACKET



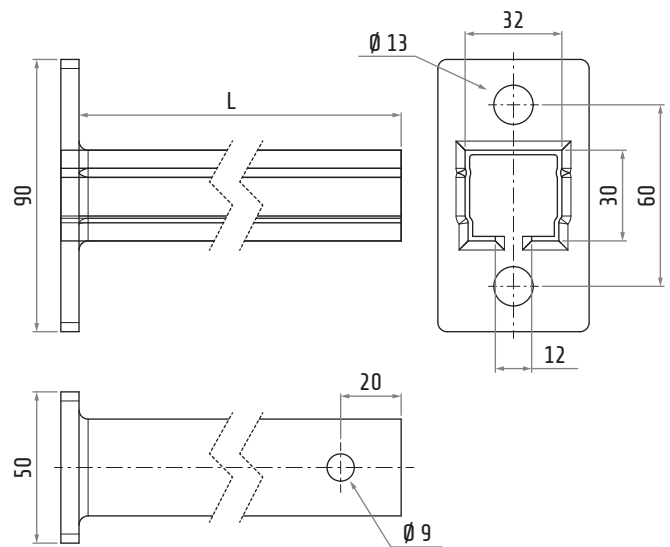
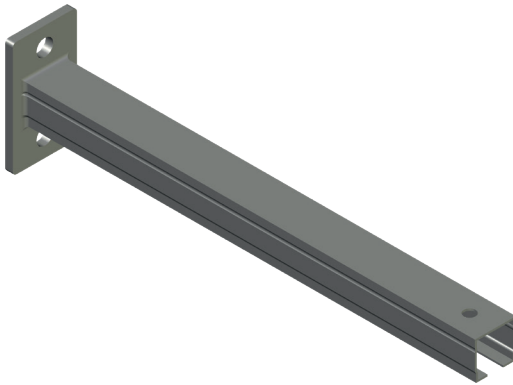
Material	galvanized steel	
	L	Weight
TR8550	350 mm	~780 g
TR8551	500 mm	~960 g
TR8552	700 mm	~1200 g



# TR8555

# TR8556

## WALL FIXING SUPPORT BRACKET



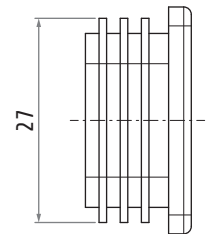
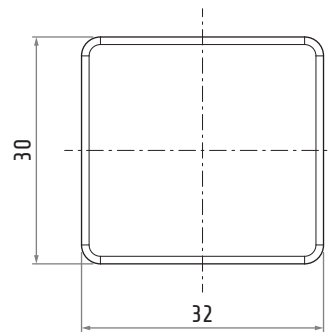
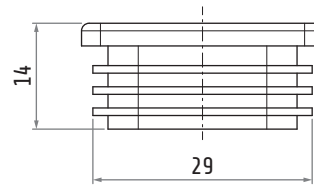
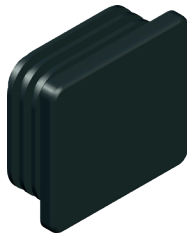
Material	galvanized steel
----------	------------------

	L	Weight
TR8555	350 mm	~640 g
TR8556	500 mm	~820 g



# 30607015

## END CAP

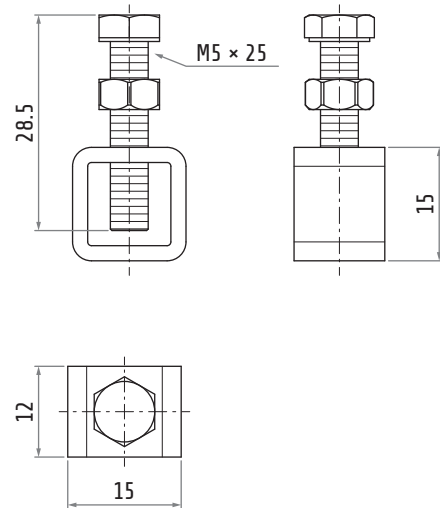
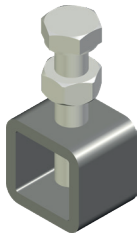


Material	nylon
Weight	~6 g



# TR6018

## CONDUCTORS CONNECTION CLAMP



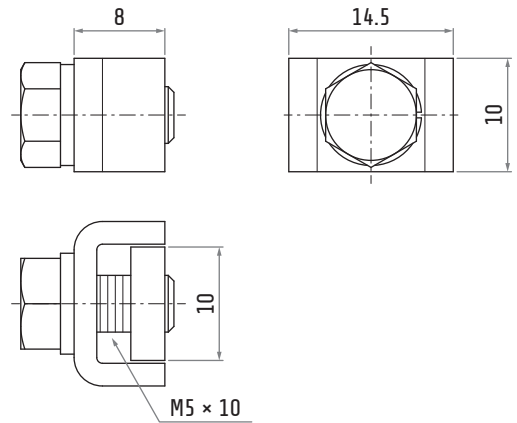
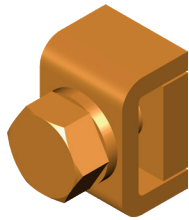
Material	galvanized steel
Weight	~15 g





# TR6015

## CONDUCTORS CONNECTION CLAMP



Material	brass
Weight	~10 g