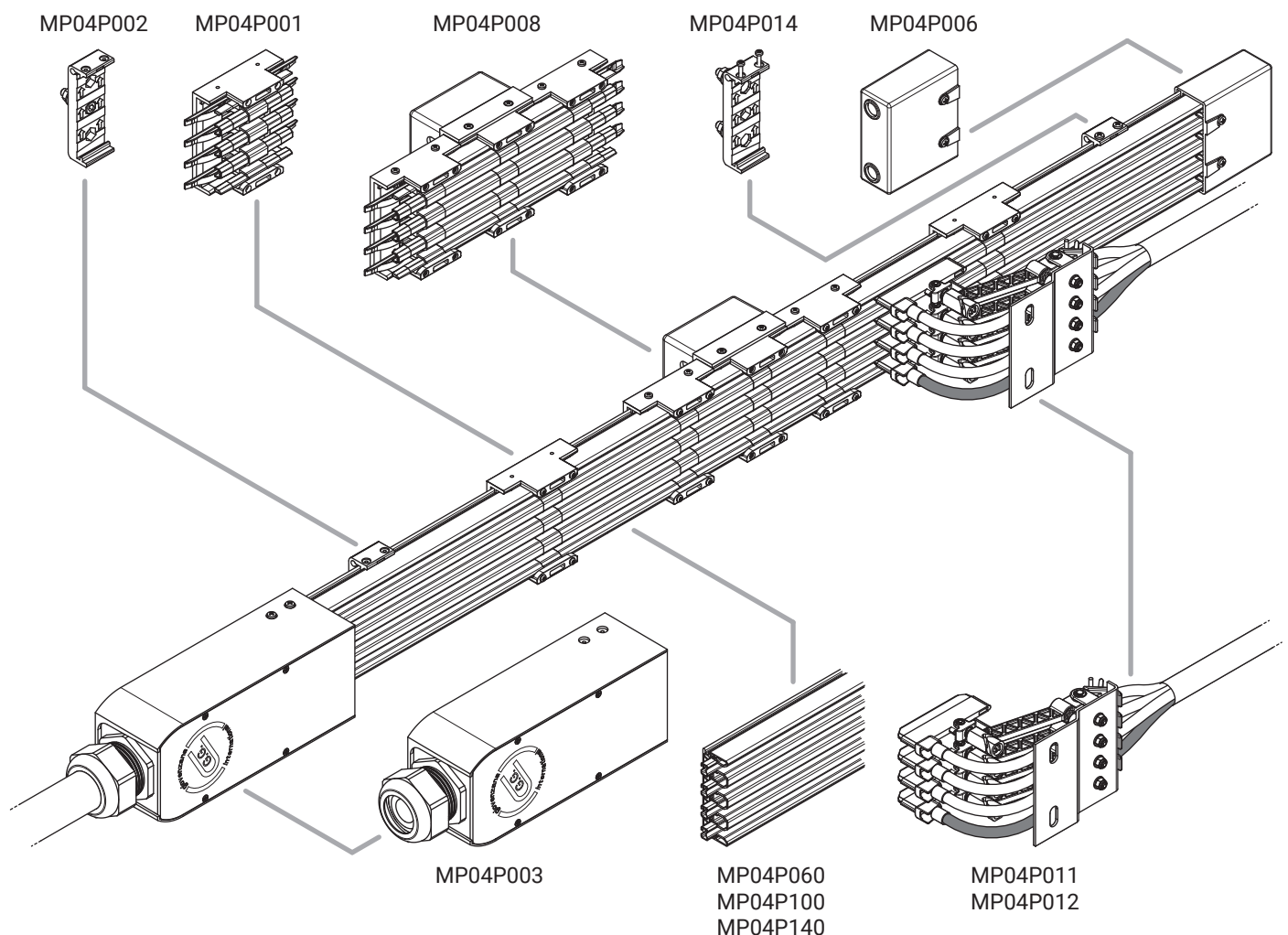


MP04P001	Joint unit
MP04P002	Hanger clip
MP04P003	Head feed
MP04P006	End cap
MP04P008	In-line feed
MP04P011	Trolley current collector (compact)
MP04P012	Trolley current collector (long)
MP04P014	Fixed point
MP04P060	Busbar 60 A
MP04P100	Busbar 100 A
MP04P140	Busbar 140 A

MP04P

MULTIPOLE SYSTEM

TYPICAL MULTIPOLE LAYOUT

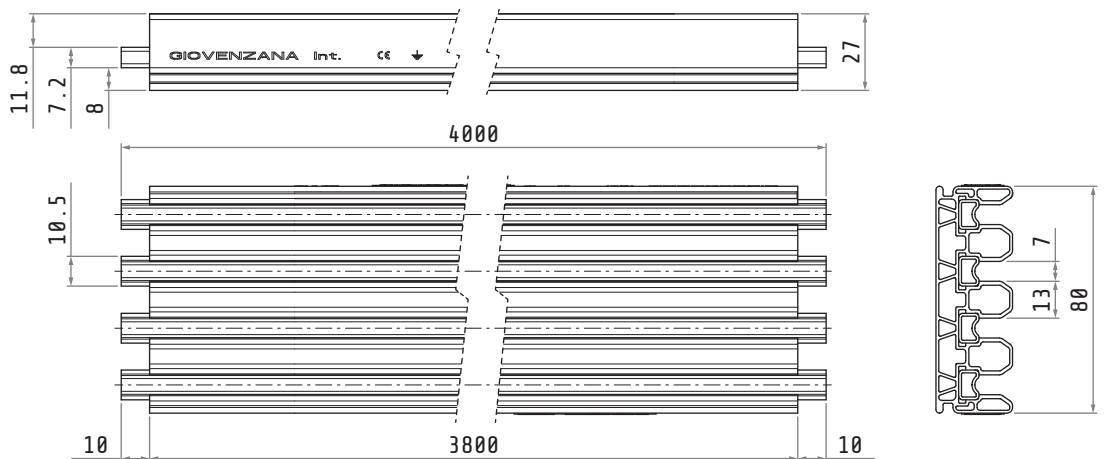
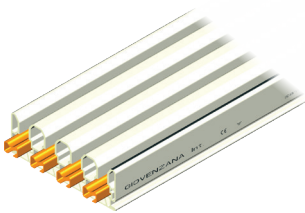


Number of poles	4
Length of busbar	4 m
Ampacity of the line	60A - 100 A - 140 A
Ampacity of trolley collector	50 A
Maximum travel speed	400 m/min

MP04Px

BUSBAR

MP04P060
MP04P100
MP04P140



Dimensions in mm / illustrations NOT in scale

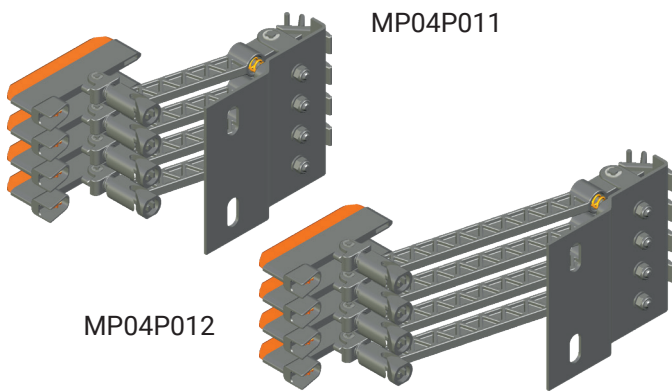
		MP04P060	MP04P100	MP04P140
Poles		4	4	4
Length		4 m	4 m	4 m
Material	busbar conductor	thermoplastic copper	thermoplastic copper	thermoplastic copper
Operating current	at 23°C	60 A	100 A	140 A
Rated operating voltage	Ue	600 V AC	600 V AC	600 V AC
Frequency		50 Hz	50 Hz	50 Hz
Conditional short circuit withstand current		10 kA	10 kA	10 kA
Fuse rating	gG	60 A	100 A	140 A
Protection class	CEI EN 60529	IP20	IP20	IP20
Flammability resistance	UL94 CEI EN 60695-2-1	V0 960°C	V0 960°C	V0 960°C
Ambient temperature	operating storage	-30 ... +55°C -30 ... +70°C	-30 ... +55°C -30 ... +70°C	-30 ... +55°C -30 ... +70°C
Max admissible trolley speed		400 m/min	400 m/min	400 m/min
ETP copper strip section		15 mm ²	24 mm ²	32 mm ²
Resistance		11.33 × 10 ⁻⁴ Ω/m	7.83 × 10 ⁻⁴ Ω/m	5.48 × 10 ⁻⁴ Ω/m
Impedence		11.38 × 10 ⁻⁴ Ω/m	7.87 × 10 ⁻⁴ Ω/m	5.55 × 10 ⁻⁴ Ω/m
Weight		1.25 kg/m ±50 g	1.55 kg/m ±50 g	1.85 kg/m ±50 g



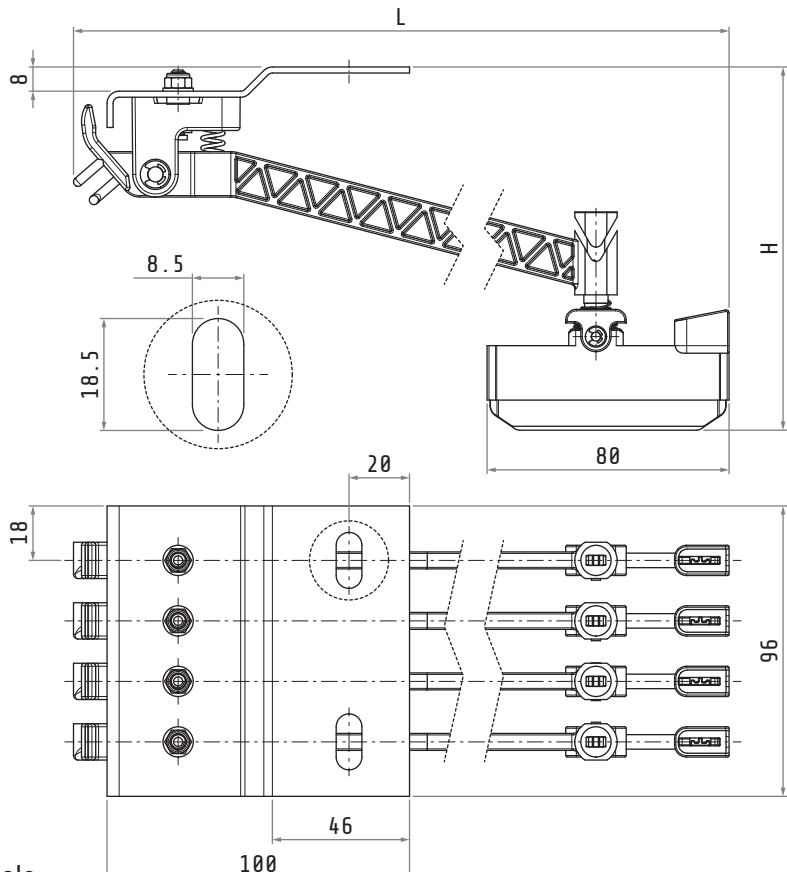
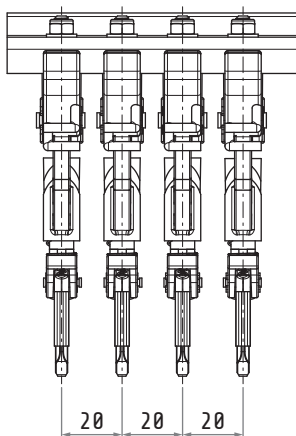
MP04P011

MP04P012

TROLLEY CURRENT COLLECTOR



	MP04P011	MP04P012
Material		
body	thermoplastic	thermoplastic
hardware	galvanized steel	galvanized steel
brushes	copper, lead and carbon	copper, lead and carbon
Operating current	50 A	50 A
Form factor	compact	long
Maximum deflection	±15 mm	±30 mm
Weight	730 g	745 g



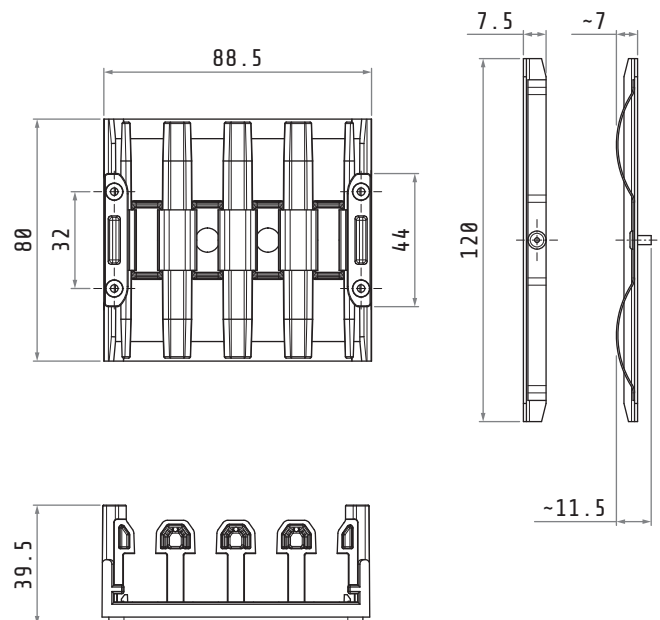
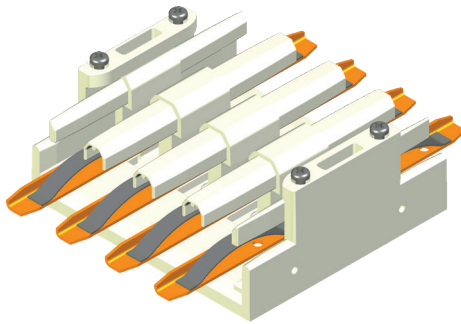
	MP04P011	MP04P012
L	162	217
H	106	120

Dimensions in mm / illustrations NOT in scale



MP04P001

JOINT UNIT

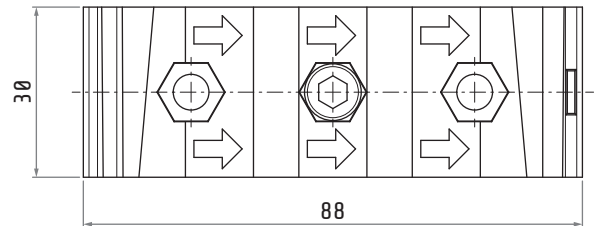
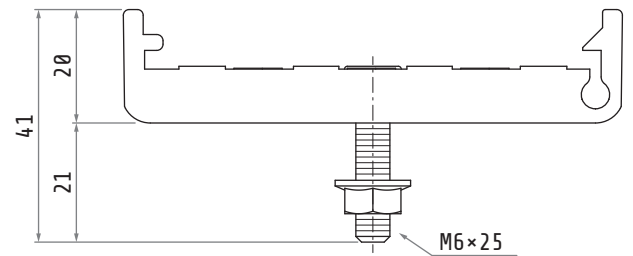
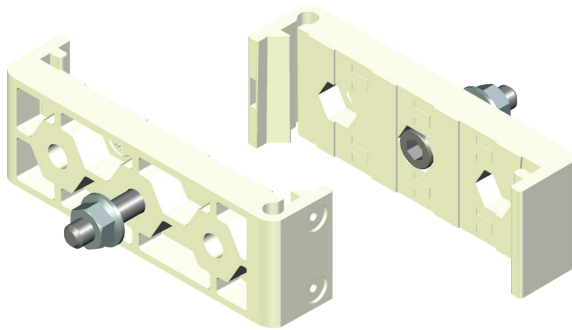


Material	body	thermoplastic
	hardware	galvanized steel
	conductor	copper
Weight	140 g	



MP04P002

HANGER CLIP

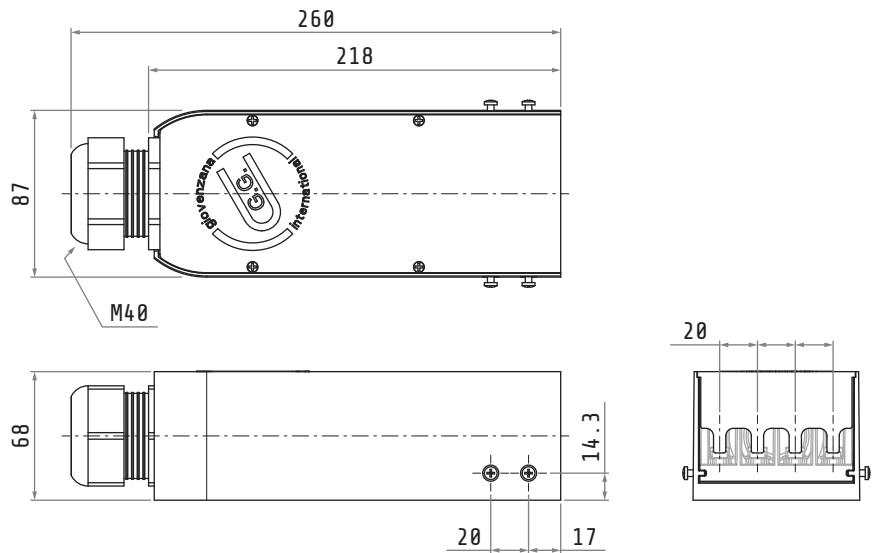
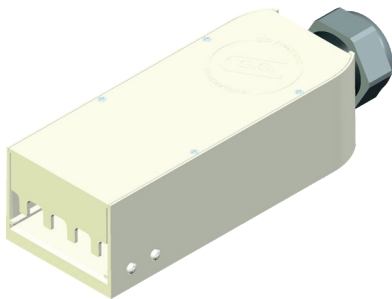


Material	body hardware	thermoplastic galvanized steel
Weight		35 g



MP04P003

HEAD FEED

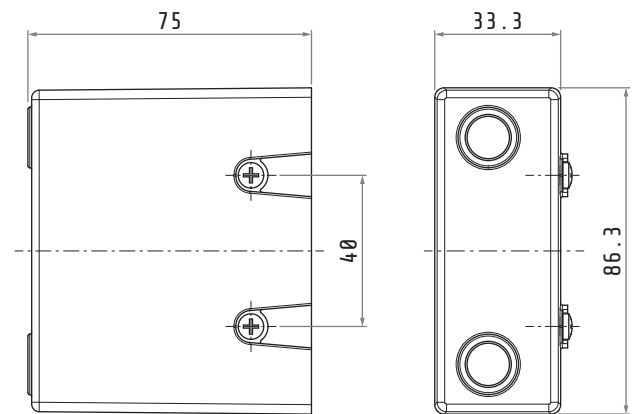
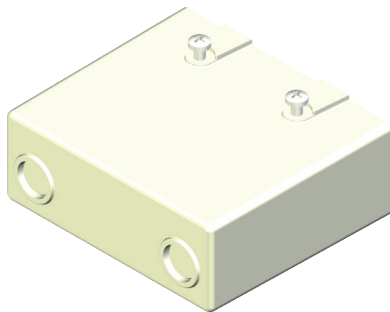


Material	thermoplastic
Weight	570 g



MP04P006

END CAP

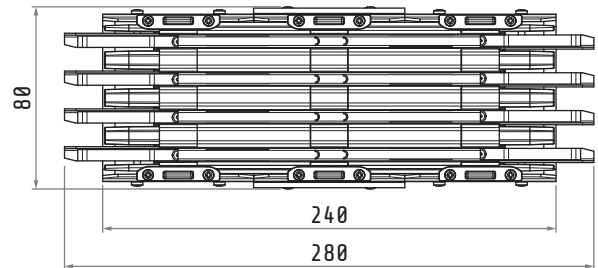
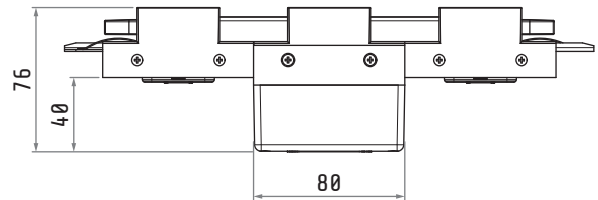
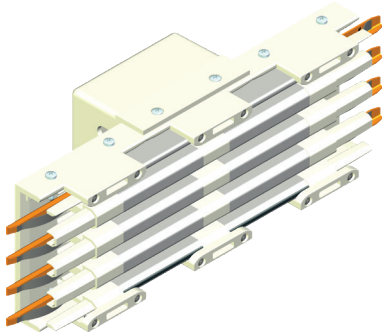


Material	thermoplastic
Weight	100 g



MP04P008

IN-LINE FEED

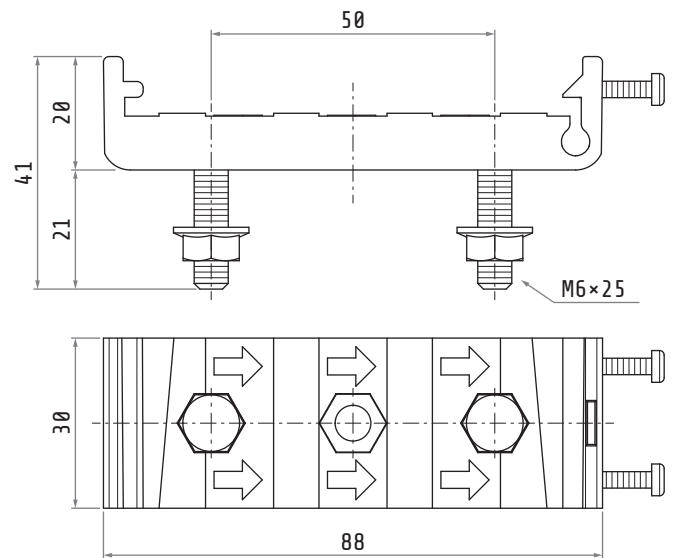
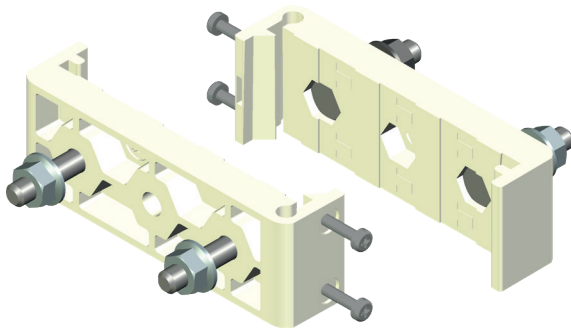


Material	body	thermoplastic
	hardware	galvanized steel
	conductor	copper
Weight	885 g	



MP04P014

FIXED POINT



Material	body	thermoplastic
	hardware	galvanized steel
Weight		45 g