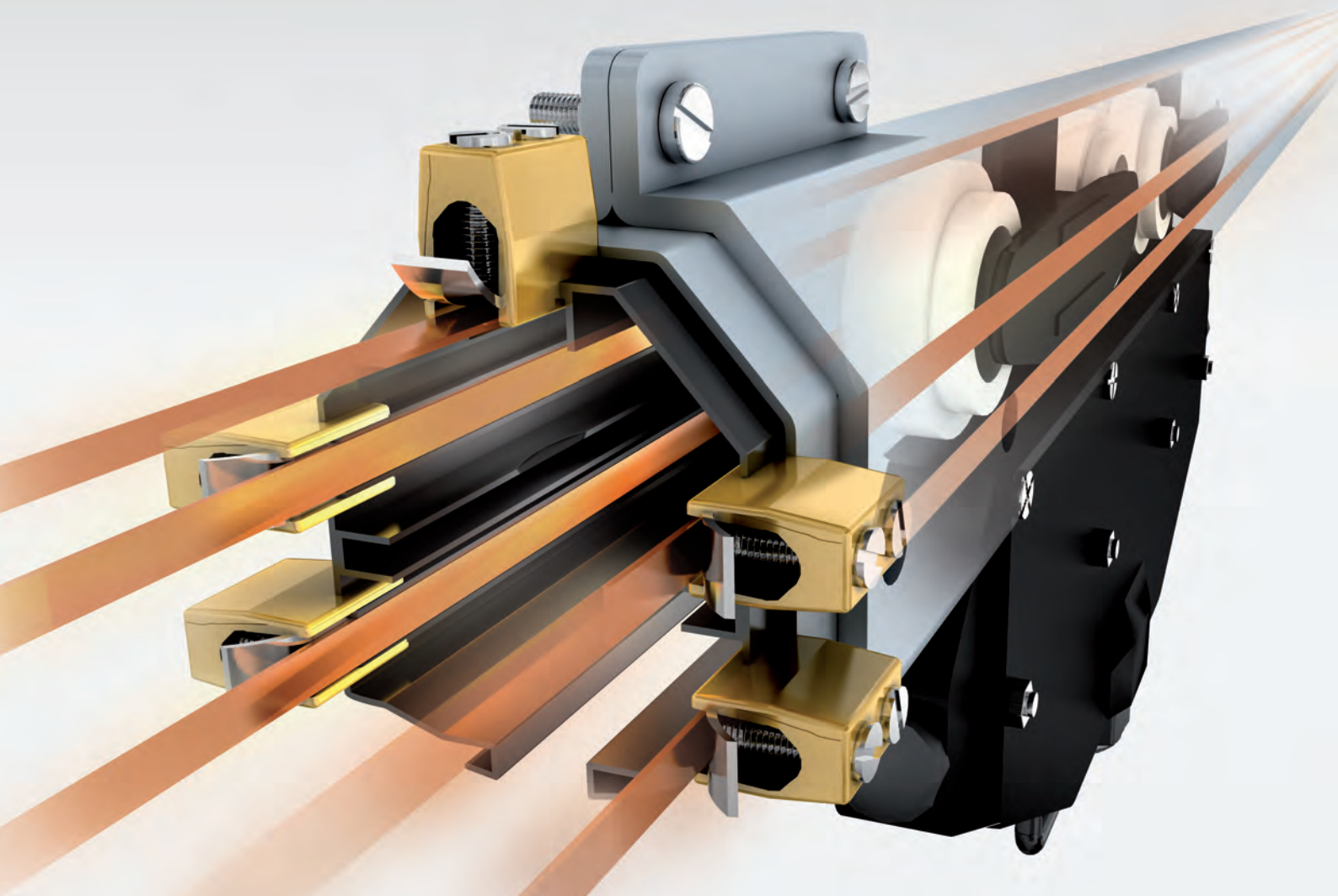


Deyle Power

Deyle Trolley Bus Bar D

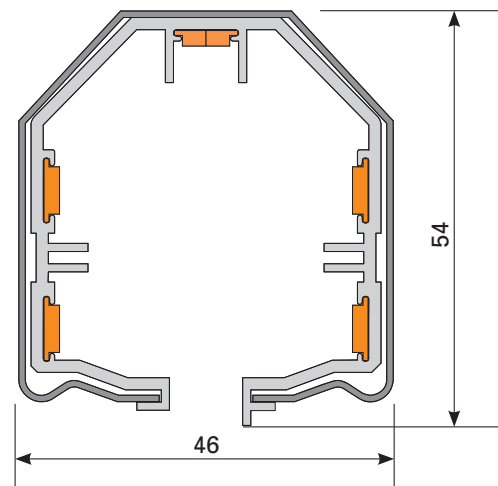
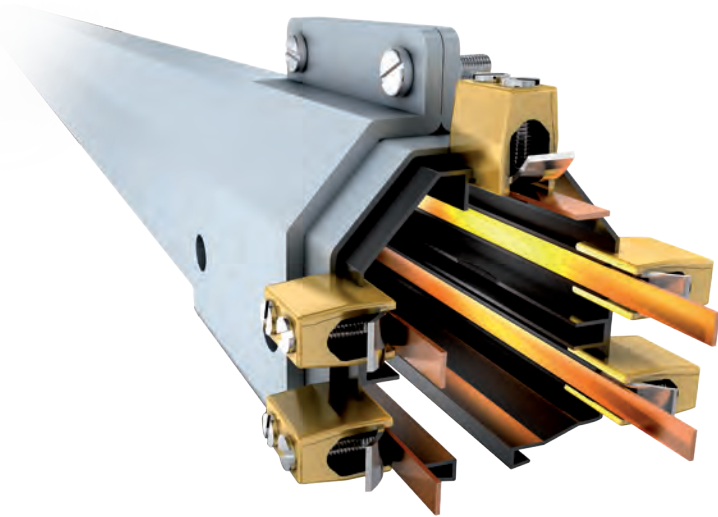
The compact trolley bus bar.



Unrivalled compactness
Modular system solution
Premium quality
Winning design

The compact trolley bus bar.

The compact dimensions of the Deyle trolley bus bar D fit anywhere – especially where space is concise, like in laboratories, colleges, workshops or smaller rooms. The bar itself is made of galvanized sheet steel with a plastic profile inside. The original Deyle bus bar trolleys convince with their virtually indestructible plastic rollers and their double-contact current collectors for a reliable power supply. The sturdy design allows for suspension spans of up to 3 metres, ensuring optimal load bearing capacity and minimised installation costs. We can deliver the bus bar in any RAL colour you request so that it perfectly matches your interior design.



Designation	DAN 5-25	DAN 3-50	DAN 5-50	DAN 5-80
Amperage	25 A	50 A	50 A	80 A
Voltage	230/400 V	230 V	230/400 V	
Number of poles	3+N+PE	1+N+PE	3+N+PE	3+N+PE
Copper cross-section (mm ²)	2.8	12	12	16
Protection class	IP 23			
Standard	DIN VDE 0660 Part 502, IEC 439-1 and -2 EN 60439 Part 1 and 2, DIN 57100			
Nominal voltage	500 V			
Nominal current of trolley	16/32 A			
Standard lengths	4 m, 1 m			
Customised lengths	0.3 m to 4 m			
Suspension span	2–3 m (recommended: 2 m)			
Housing profile	Steel, sendzimir galvanized			
Inside profile	PVC 75			
Temperature range	Bar: -30°C to +50°C			
Colour	Powder-coated, all RAL colours			



The Deyle System D: Your advantages at a glance.

Compact and appealing – for demanding architectures and efficient technologies.

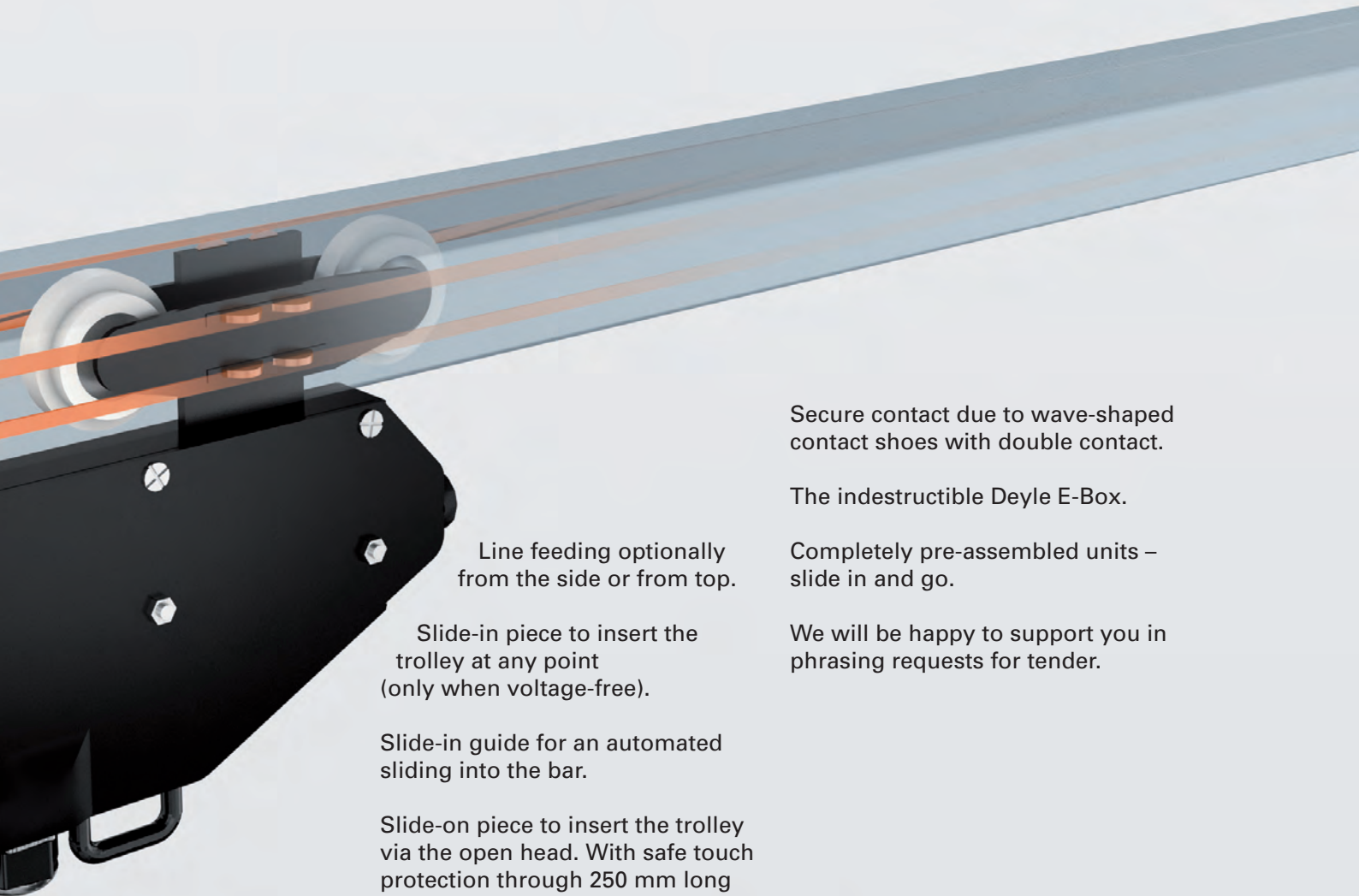
The combination of plastic profile and steel housing makes for a metal bar at the price of a plastic bar.

Suspension span of up to 3 metres.

The pluggable connection system for easy installation.

Available in all RAL colours.





Line feeding optionally from the side or from top.

Slide-in piece to insert the trolley at any point (only when voltage-free).

Slide-in guide for an automated sliding into the bar.

Slide-on piece to insert the trolley via the open head. With safe touch protection through 250 mm long insulating stretch.

Secure contact due to wave-shaped contact shoes with double contact.

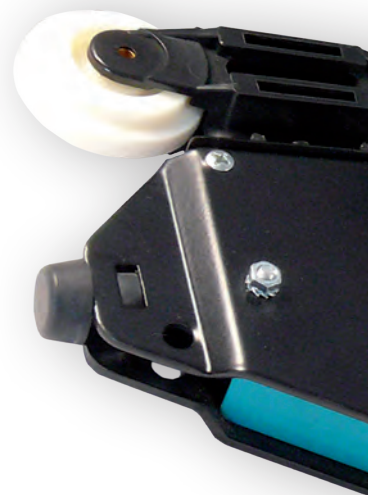
The indestructible Deyle E-Box.

Completely pre-assembled units – slide in and go.

We will be happy to support you in phrasing requests for tender.

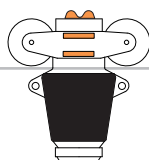
The Deyle trolley

Hard wearing, gentle moving.



Tried and tested for decades:
The low-maintenance Deyle plastic rollers run smoothly in the bus bar and are virtually indestructible. Contact shoes with double, wave-shaped contacts ensure a reliable contact and a long service life at the same time. All Deyle bus bar trolleys are available in 16 and 32 ampere versions.

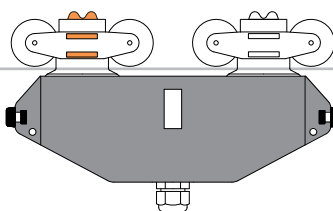
Take your pick at Deyle. The better tailored to your needs, the better, safer and more efficient your system solution will work. This is why we offer a selection of system modules for the trolleys, fuses, collectors and the installation.
We cannot show you all here – but we can surely deliver them.



The standard trolley

With plain, non-tensioned cable outlet

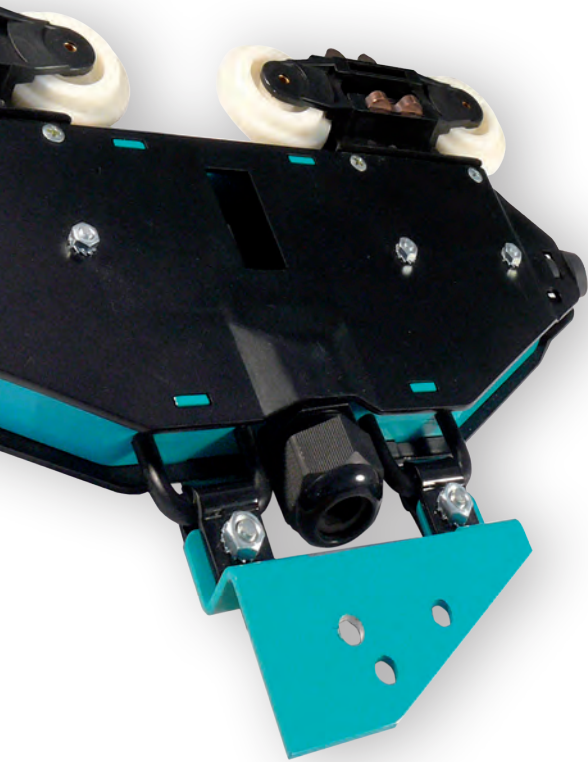
Item	Configuration	Socket	Nominal input current	Towing arm opening	Dimensions L x H x W in mm	Cable fitting
DEN3-16L	1+N+PE	-	16 A	-	130 x 135 x 45	-
DEN5-16L	3+N+PE	-	16 A	-	130 x 135 x 45	-



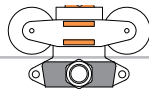
The twin standard trolley

With metal connection plate and optionally one or two current consumers for 16 or 32 amperes.

Item	Configuration	Socket	Nominal input current	Towing arm opening	Dimensions L x H x W in mm	Cable fitting
DEN3-16D	1+N+PE	-	16 A	15 x 35	310 x 180 x 32	M25
DEN5-16D	3+N+PE	-	16 A	15 x 35	310 x 180 x 32	M25
DEN3-32D	1+N+PE	-	32 A	15 x 35	310 x 180 x 32	M25
DEN5-32D	3+N+PE	-	32 A	15 x 35	310 x 180 x 32	M25
DEN5-16 DWS	With hinge and angled plate					
DEN5-32 DWS	With hinge and angled plate					



Ask us for your customised system solution. The bus bar trolley is in the centre between power grid and consumers. We therefore offer a particularly wide range of solutions which match exactly your task.

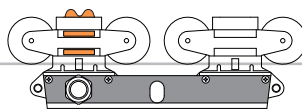


Bolting M20 x 1.5
No terminals in housing

The compact standard trolley

The particularly space-saving solution

Item	Configuration	Socket	Nominal input current	Towing arm opening	Dimensions L x H x W in mm	Cable fitting
DENK3-16	1+N+PE	-	16 A	-	130 x 90 x 45	M20
DENK5-16	3+N+PE	-	16 A	-	130 x 90 x 45	M20



Bolting M20 x 1.5
No terminals in housing

The compact twin standard trolley

The particularly space-saving solution

Item	Configuration	Socket	Nominal input current	Towing arm opening	Dimensions L x H x W in mm	Cable fitting
DEK5-16D	3+N+PE	-	16 A	-	275 x 90 x 45	M20
DEK5-32D	3+N+PE	-	32 A	13 x 17	275 x 90 x 45	M20

DEN5-16D

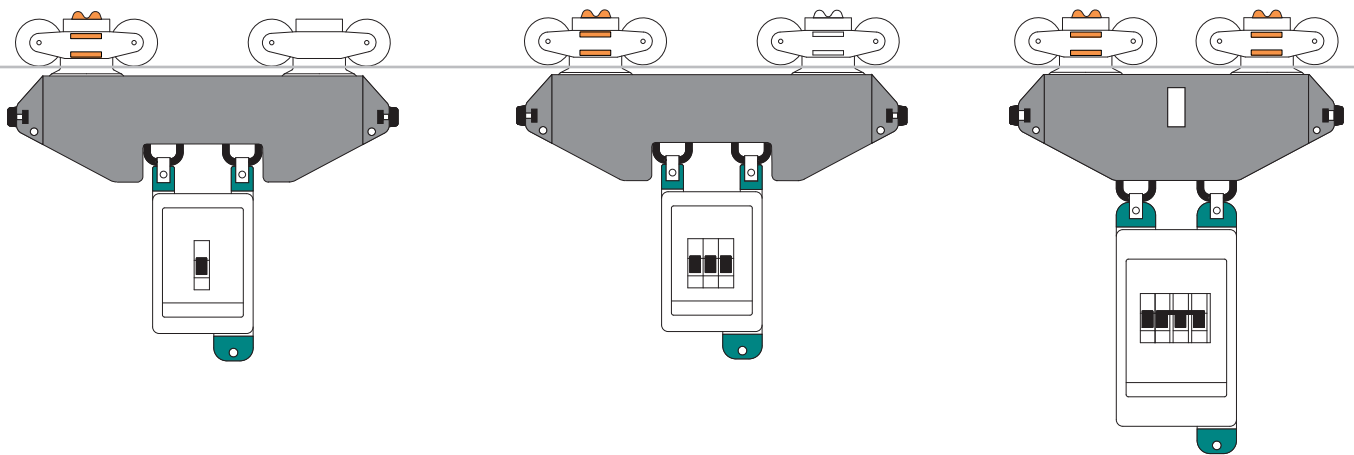
- Trolley bus bar D
- N = Normal
- K = Compact (Kompakt)
- S = Fused (Sicherung)
- Number of poles
- Current strength
- D = Double trolley (Doppelwagen)

Special designs on request.

Bus bar trolleys for special areas of use

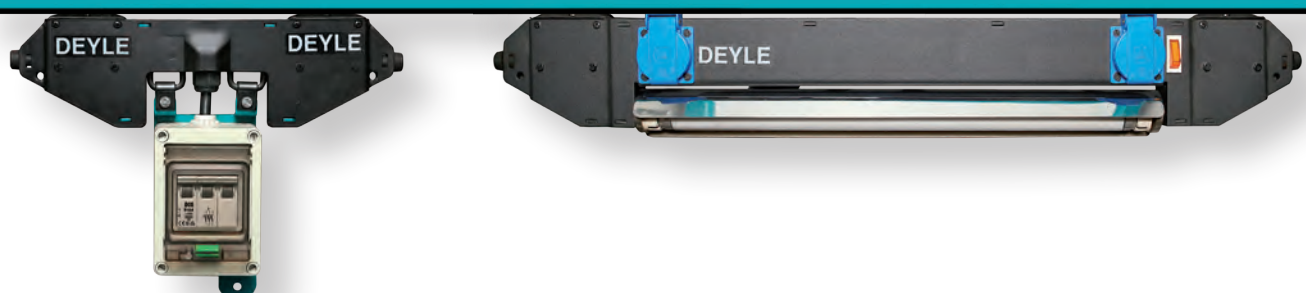
Trolley with fuse box

A fuse box directly on the bus bar trolley offers many advantages. You can, for instance, switch off specific collectors or remove trouble incidents directly on site.



Bus bar trolleys with fuse box

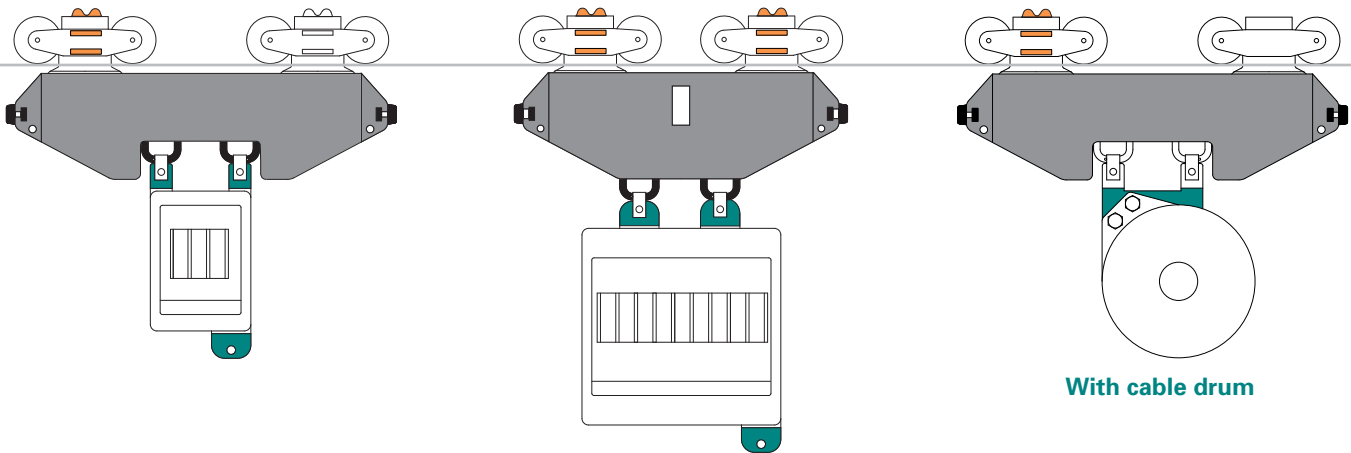
Item	Configura-tion	Nominal in-put current	Towing arm opening	Dimensions L x H x W in mm	Fuse
DES5-16A1	3+N+PE	16 A	–	350 x 315 x 90	1 x C16 (B16)
DES5-16A	3+N+PE	16 A	–	350 x 315 x 90	3 x C16
DES5-32A	3+N+PE	32 A	–	350 x 315 x 90	3 x C32
DES5-16A4	3+N+PE	16 A	15 x 35	310 x 400 x 125	3 x C16 + 1 x B16
DES5-32A4	3+N+PE	32 A	15 x 35	310 x 400 x 125	3 x C32 + 1 x B16
DES5-16P	3+N+PE	16 A	15 x 35	310 x 400 x 125	Neozed E14
DES5-25P	3+N+PE	25 A	15 x 35	310 x 400 x 125	Neozed E18



- DES5-16A
- Trolley bus bar D
 - N = Normal
 - K = Compact (Kompakt)
 - S = Fused (Sicherung)
 - Number of poles
 - Current strength
 - A = Automatic circuit breaker
 - P = Cartridge fuse (Patronensicherung)

Customer manufacturing according to your specifications.

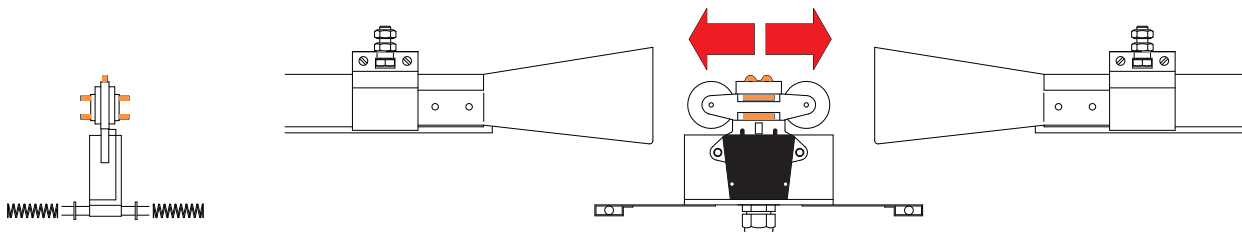
Deyle builds your custom bus bar trolley. Whatever you need: We integrate balancers, cable drums or cable brakes to lock trolleys. We aim at your efficiency – for greater profitability and safety.



With cable drum

Empty housing

Item	Configura-tion	Nominal in-put current	Towing arm opening	Dimensions L x H x W in mm	Fuse
DES5-16/3E	3+N+PE	16 A	-	350 x 315 x 90	Custom-made
DES5-16/4E	3+N+PE	16 A	15 x 35	310 x 400 x 125	Custom-made
DES5-32/4E	3+N+PE	32 A	15 x 35	310 x 400 x 125	Custom-made
DES5-32/9E	3+N+PE	32 A	15 x 35	310 x 400 x 125	Custom-made



Trolley for cross-over units

Item	Configuration	Nominal in-put current	Cable fitting
DEN5-16AI	3+N+PE	16 A	M20

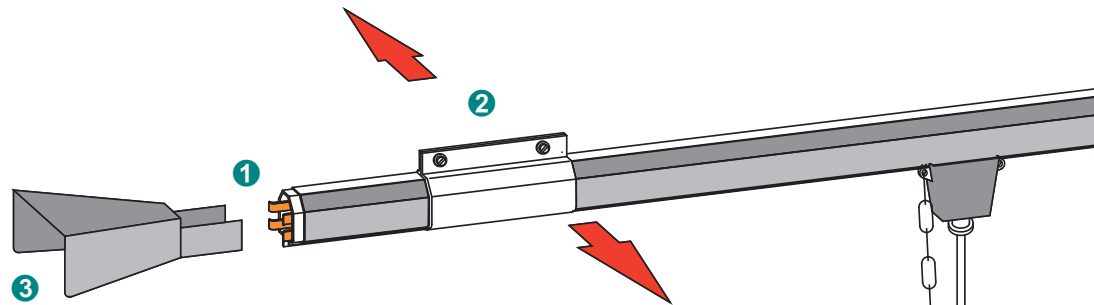
The Deyle trolley bus bar system: the interface between power grid and consumers

The Deyle bus bar in an industrial design is both rugged and practical. All supporting components are made of metal making them virtually indestructible.

We deliver the system pre-assembled, completely with trolleys, cable release, wiring and connections. Simply slide the trolley into the bar, that's it.

Either at the end of the bar with the slide-in guide or at any point of the bar with the Deyle slide-in piece.

Power can be supplied at the head of the bar or at any other point in the system.



1 Slide-on pieces

To slide the trolley into the open end – touch protection through 250 mm long insulating stretch

DAI5-25
DAI3-50
DAI5-50

2 Slide-in piece

To slide in a trolley within a line

DAE5-25
DAE3-50
DAE5-50

3 Slide-in guide

Additional for DAI for an automated sliding into the bar

DAIT

4 Line feeder TOP

For feeding power from overhead

DAA5-40T 40 A = 6 mm²
DAA5-50T 50 A = 16 mm²

5 Line feeder SIDE

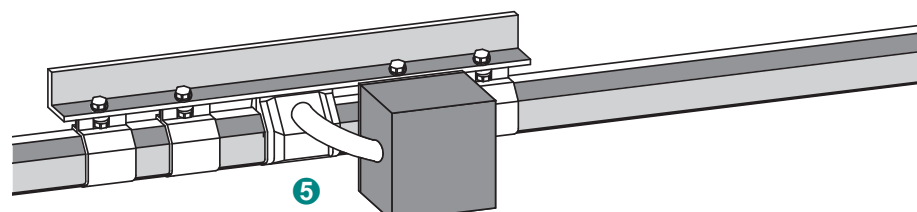
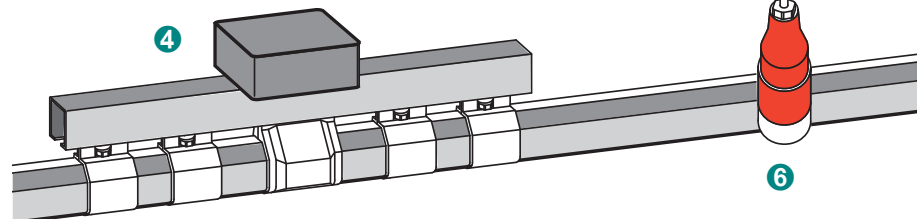
For feeding power from the side

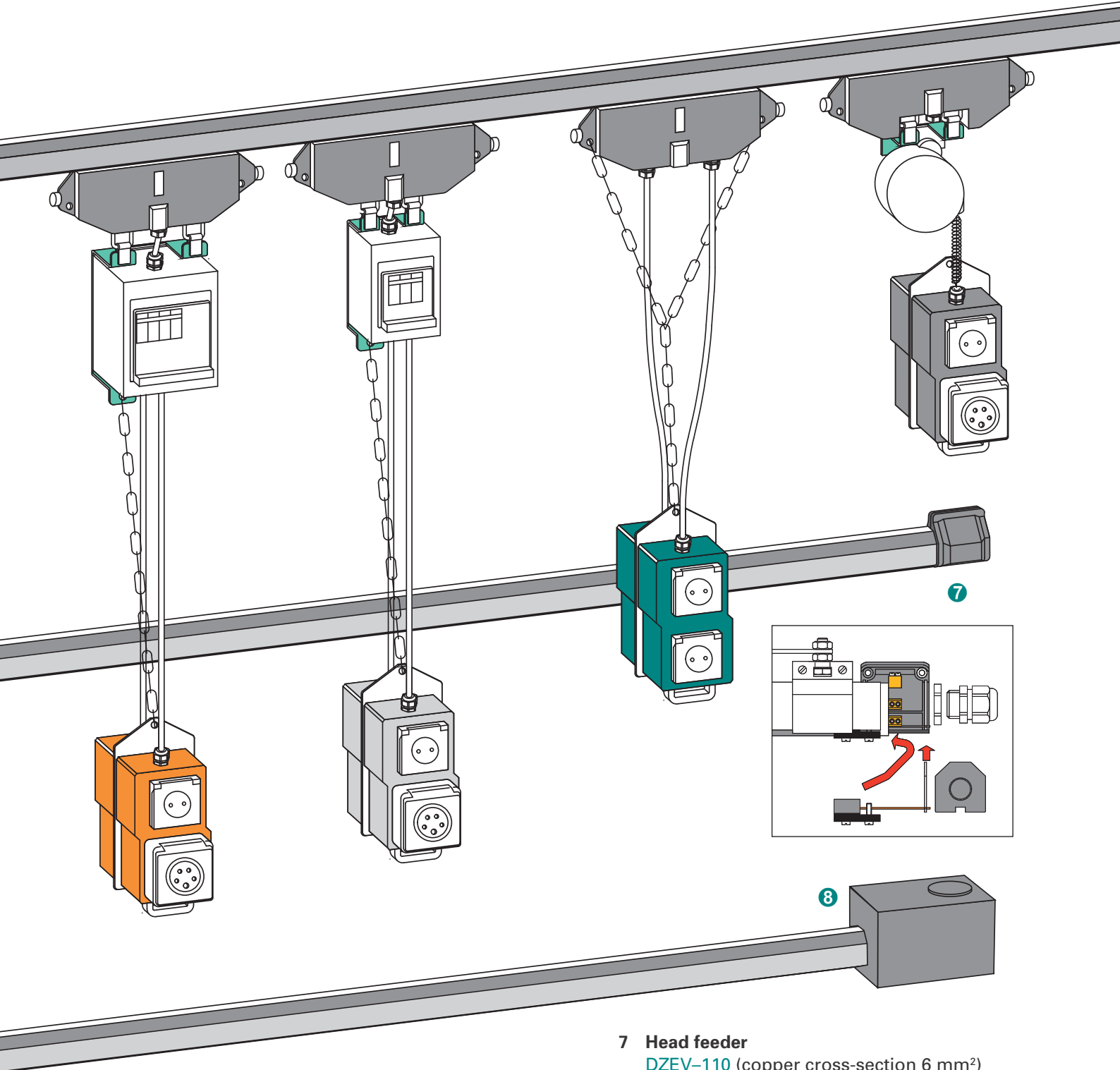
DAA5-40S 40 A = 6 mm²
DAA5-50S 50 A = 16 mm²

6 Outlets

Optional

CEE outlet
Schuko outlet
Perilex outlet



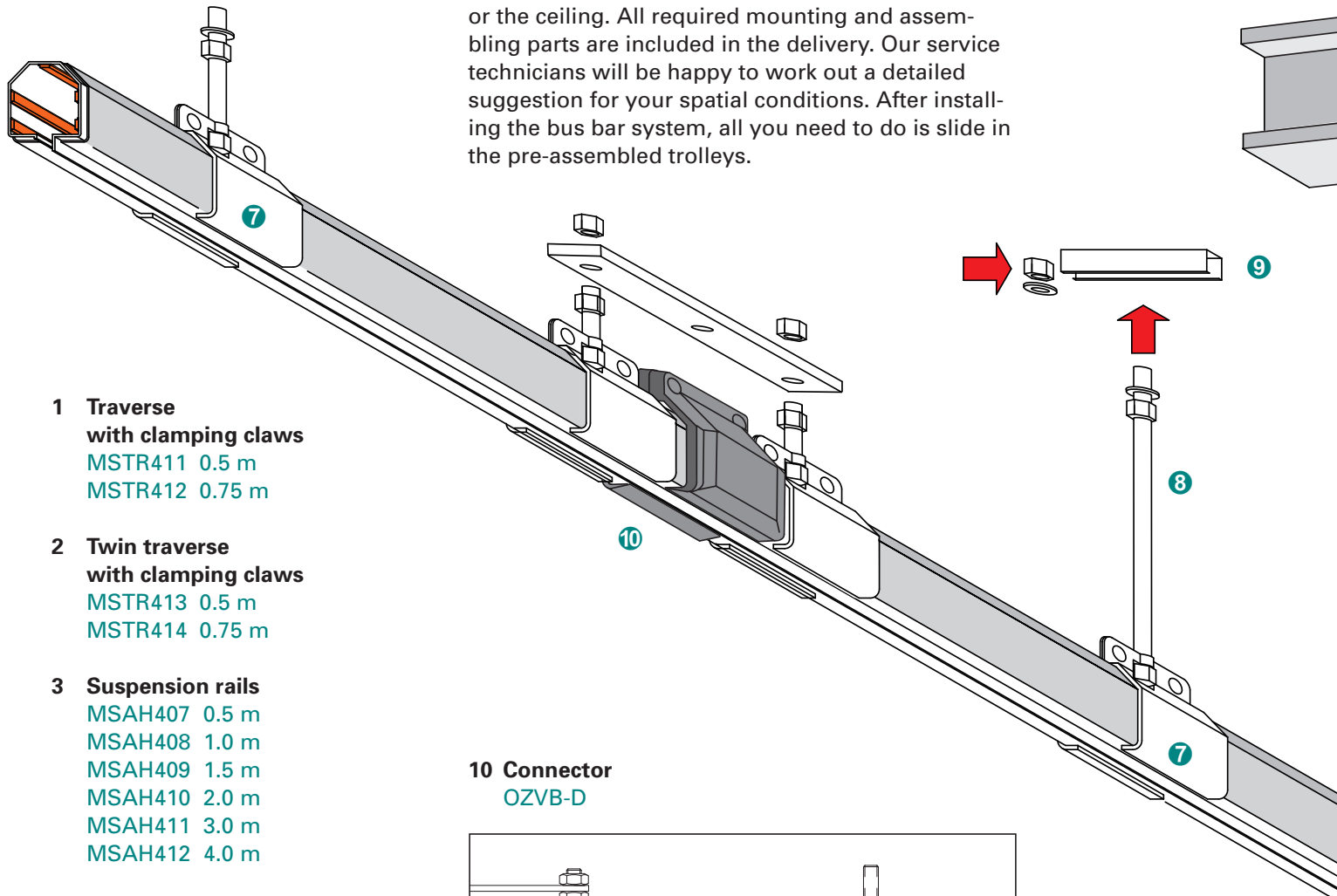


7 Head feeder
DZEV-110 (copper cross-section 6 mm²)

8 Head feeder
DZEV-120 (copper cross-section 16 mm²)

The Deyle mounting system.

The Deyle trolley bus bar is fully engineered and easy to install. No screwing, but simply click into place, that's it! It starts with the installation as the system comes ready to be mounted to pillars, walls or the ceiling. All required mounting and assembling parts are included in the delivery. Our service technicians will be happy to work out a detailed suggestion for your spatial conditions. After installing the bus bar system, all you need to do is slide in the pre-assembled trolleys.



1 Traverse with clamping claws
 MSTR411 0.5 m
 MSTR412 0.75 m

2 Twin traverse with clamping claws
 MSTR413 0.5 m
 MSTR414 0.75 m

3 Suspension rails
 MSAH407 0.5 m
 MSAH408 1.0 m
 MSAH409 1.5 m
 MSAH410 2.0 m
 MSAH411 3.0 m
 MSAH412 4.0 m

4 Strut 45°
 MSMT203

5 Hinge
 MSMT205

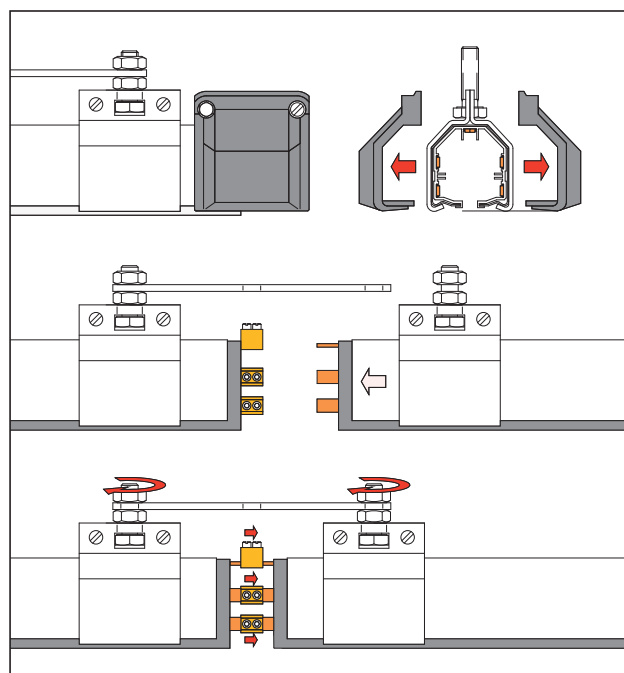
6 Mounting plate on suspension rail
 MSMS519

7 Suspension bracket
 DZAH130

8 Threaded bar
 MSMS504

9 Mounting plate
 MSAS310

10 Connector
 OZVB-D





Examples of installations from all industries.

Deyle trolley bus bars convince at most different places of use, like in the automotive or textile industry, in workshops as well as in schools or laboratories. Just everywhere where safety and efficiency are called for.

A small list of our reference projects:

- **Bosch**, electric tools, Leinfelden
- **Brunnhuber**, cranes, Augsburg
- **German Federal Armed Forces**, Penzing
- **Continental**, tyres, Hannover
- **Dungs**, gas safety engineering, Urbach
- **ebm**, electric motor manufacturing, Mulfingen
- **EnBW**, power utility, Stuttgart
- **EON**, hydropower plant, Landshut
- **FESTO**, automation engineering, Esslingen
- **Franciscan Sisters** of Schönbrunn, convent
- **Fraunhofer Institute**, Freiburg
- **Vocational College**, Donaueschingen
- **Goethe University**, Frankfurt, laboratory in Physics department
- **HARIBO**, sweets, Bonn
- **University of Hamm-Lippstadt**, Hamm
- **HILTI**, fastening engineering, Kaufering
- **Hornbach**, DIY store, Driebergen (Netherlands)
- **HYMER**, caravans, Waldsee
- **Indupress**, presses for textile industry, Hösbach
- **Intertex-Maschinenbau GmbH & Co KG**, dynamic storage systems, Eisingen
- **JVA** penal institution, Landsberg
- **MEWA-Textilien AG**, textile services, work clothes, industrial textiles, Immenhausen



- **Miele**, electric domestic appliances, Gütersloh
- **NDR**, television, Hamburg
- **Porsche**, automotive, Stuttgart-Zuffenhausen
- **Siemens**, switchgear cabinet manufacturing, Erlangen
- **Thyssen-Krupp Steel Europe AG**, surface engineering, Dortmund
- **Trigema**, sports and leisure wear, Burladingen
- **Triumph**, lingerie, textiles, Heubach
- **Trumpf**, punching machines, Hettingen
- **Waldner GmbH & Co KG**, laboratory equipment, Wangen
- **ZF-Friedrichshafen AG**, transmissions, Lemförde



Deyle – power all down the line.

For 60 years, the original Deyle bus bars have ensured reliable energy transmission to consumers. Our first installations are still in use, proving the outstanding quality and sustainability of our systems. We have manufactured contact lines, rail and socket distribution units, cable feeder rails and safety bars since 1954.

In 1993, we added a totally new product range with frame heaters for opticians and hearing aid audiologists, which have set a European-wide standard for the whole industry today.

Deyle Power belongs to the Mehl Group, which also owns the Leich + Mehl brand, a leading manufacturer of weighing and labelling equipment. The Mehl Group is a family-run enterprise in the second and third generation.

Deyle Power is innovative, absolutely reliable and offers premium quality. Our competent and friendly customer service will be happy to help you any time, also after having delivered your bus bar system.



This in mind, you should contact us when you plan to have **power all down the line**. We will be happy to support you with our know-how earned in 60 years. Contact us and benefit from our rich pool of tips and tricks. We assist engineering offices in creating requests for tender.

The DEYLE products:

Trolley bus bar Type B

The rugged industrial trolley bus bar.

Trolley bus bar Type D

The compact trolley bus bar.

Festoon cable system F

The cost-effective cable system.

Plug line S

Power wherever you want.

The Deyle switch bar

Safe switching.

Passat frame heaters

For opticians and hearing aid audiologists.



The winning company!

DEYLE

power all down the line

Deyle GmbH

Tulpenstraße 50
71394 Kernen i.R. (near Stuttgart)
Phone +49 (0)7151 4 10 46
Fax +49 (0)7151 4 68 06
mail@deyle-power.de
www.deyle-power.de